



MADISON Rain shower with wall fixing FlowReduce 200 mm - Durabronss (23kt Gold)

MADISON

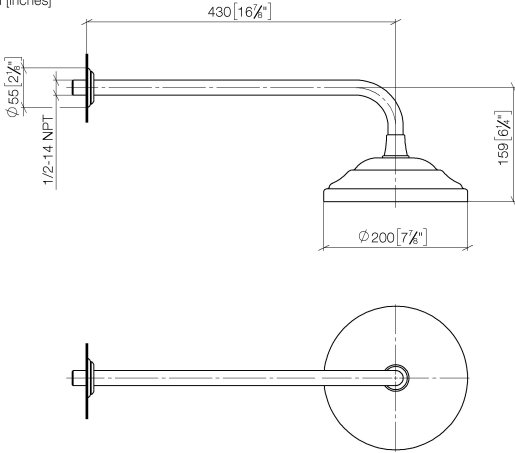
28 544 977



- 435mm projection
- rain shower Ø 200 mm
- rain flow
- max. flow 7 l/min
- Function from: 6.5 l/min
- rosette Ø 55 mm
- 1/2" connection
- with anti-scale system
- This product can help a building meet the requirements of Green Building Rating Systems, e.g. LEED®, BREEAM®, DGNB

| | | |
|--|--------------------------------|---------------|
|  | Durabronss (23kt Gold) | 28 544 977-09 |
|  | Chrome | 28 544 977-00 |
|  | Brushed Platinum | 28 544 977-06 |
|  | Platinum | 28 544 977-08 |
|  | Brushed Durabronss (23kt Gold) | 28 544 977-28 |
|  | Brushed Dark Platinum | 28 544 977-99 |

28 544 977
mm [inches]



Flow rate chart



Codes & Standards

DIN 4109

ISO 3822

Ü-Zeichen



MADISON Rain shower with wall fixing FlowReduce 200 mm - Durabronss (23kt Gold)

MADISON

28 544 977
Certificates

LGA_38

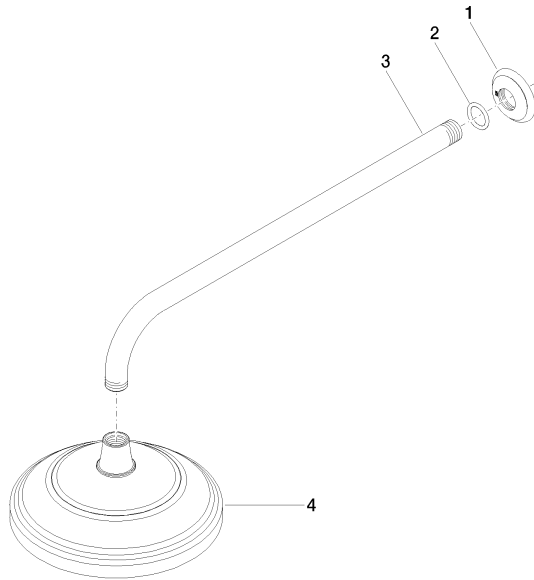


MADISON Rain shower with wall fixing FlowReduce 200 mm - Durabross (23kt Gold)

MADISON

28 544 977

Parts for other finishes can be found here: [Chrome](#)





MADISON Rain shower with wall fixing FlowReduce 200 mm - Durabrass (23kt Gold)

MADISON

28 544 977

Spare parts list

| No. | Item Number | Name | Quantity used | Delivery time |
|-----|-----------------|---------|---------------|---------------|
| | 09 27 35 003-09 | rosette | 4 | 40 |