

# LOT BAR TAP Two-hole mixer with individual rosettes - Brushed Platinum

LOT

32 805 680 Product version from 6/1/2022



- 165mm projection
- pivotable spout 360°
- air-enriched flow
- height of mixer 230 mm
- height up to laminar flow regulator 205 mm
- individual rosette 55 x 55 mm
- hole diameter spout 35 mm
- single-lever mixer hole diameter 44 mm
- max. flow 8 l/min at 3 bar flow pressure
- lead-free
- WRAS
- This product can help a building meet the requirements of Green Building Rating Systems, e.g. LEED®, BREEAM®, DGNB

Operating unit can be positioned freely.

	Brushed Platinum	32 805 680-06
	Chrome	32 805 680-00
	Platinum	32 805 680-08
	Dark Chrome	32 805 680-19
	Brushed Durabrass (23kt Gold)	32 805 680-28
	Brushed Champagne (22kt Gold)	32 805 680-46
	Champagne (22kt Gold)	32 805 680-47
	Brushed Dark Platinum	32 805 680-99

## Recommended miscellaneous



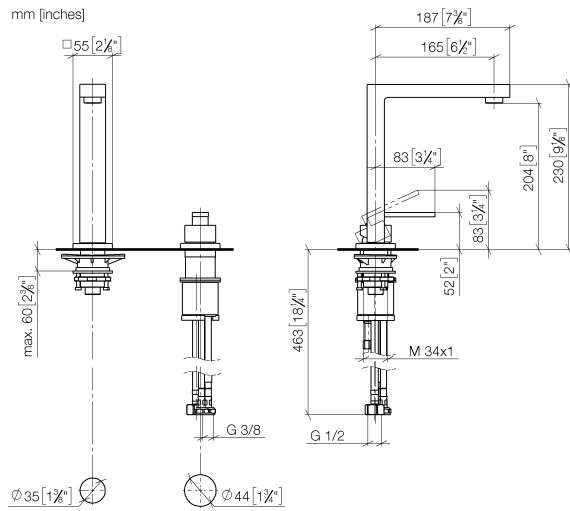
**Strainer waste with control handle - Brushed Platinum** 10 711 970-06

## Recommended miscellaneous

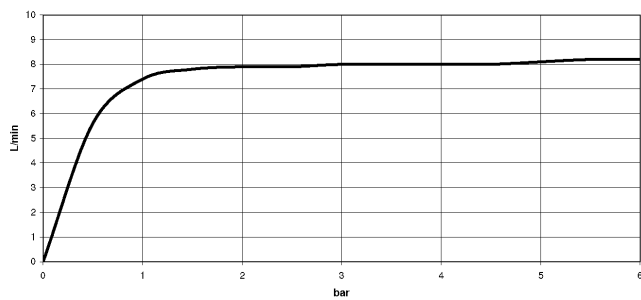


**Dispenser with rosette - Brushed Platinum** 82 439 970-06

32 805 680 Product version from 6/1/2022



**Flow rate chart**



**Codes & Standards**

DIN 4109

EN 817

Executive Order  
no. 1007

ISO 3822

Scottish Water  
Byelaws

UK Water Supply  
Regulations

Ü-Zeichen

VA-Zeichen



LOT BAR TAP Two-hole mixer with individual rosettes - Brushed Platinum

LOT

32 805 680 Product version from 6/1/2022

Certificates

GDV\_0400

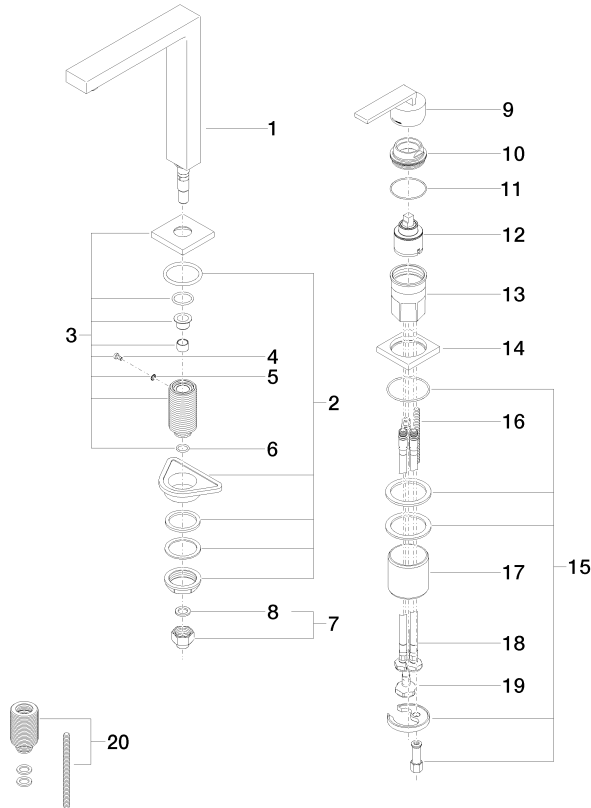
WRAS\_1909

LGA\_18

ETA\_18

32 805 680 Product version from 6/1/2022

Parts for other finishes can be found here: [Chrome](#)



**Spare parts list**

No.	Item Number	Name	Quantity used	Delivery time
1	90 11 06 192 04-06	spout	1	10
2	04 23 10 044 01 90	fixing set	1	2
3	90 27 78 023 00-06	rosette	1	10
4	09 30 30 057 90	screw	1	2
5	09 30 11 028 90	disc	1	2
6	90 14 10 077 00 90	seal	1	2
7	04 24 04 166 10 90	nipple	1	2
8	90 14 20 002 00 90	seal	1	2
9	90 20 78 040 00-06	handle	1	10
10	09 24 04 142-06	nut	1	10
11	09 14 10 037 90	seal	1	2
12	90 15 05 045 00 90	cartridge	1	2
13	09 30 01 100 10 90	sleeve	1	2
14	09 27 78 007-06	rosette	1	10
15	04 30 11 038 02 90	fixing set	1	2
16	09 31 11 011 90	pin	1	2
17	09 18 40 079 90	sleeve	1	2
18	04 30 04 104 00 90	hose	2	2
19	04 30 04 019 00 90	hose	1	2
20	12 802 970 90	Extension set -	1	60