

LOT BAR TAP Two-hole mixer with individual rosettes - Dark Chrome

32 805 680



- 165mm projection
 - pivotable spout 360°
 - air-enriched flow
 - height of mixer 230 mm
 - height up to laminar flow regulator 205 mm
 - individual rosette 55 x 55 mm
 - hole diameter spout 35 mm
 - single-lever mixer hole diameter 44 mm
 - max. flow 8 l/min at 3 bar flow pressure
 - lead-free
 - WRAS
 - This product can help a building meet the requirements of Green Building Rating Systems, e.g. LEED®, BREEAM®, DGNB
- Operating unit can be positioned freely.

	Dark Chrome	32 805 680-19
	Chrome	32 805 680-00
	Brushed Platinum	32 805 680-06
	Platinum	32 805 680-08
	Brushed Durabronze (23kt Gold)	32 805 680-28
	Brushed Champagne (22kt Gold)	32 805 680-46
	Champagne (22kt Gold)	32 805 680-47
	Brushed Dark Platinum	32 805 680-99

Recommended miscellaneous



Strainer waste with control handle - Dark Chrome 10 711 970-19

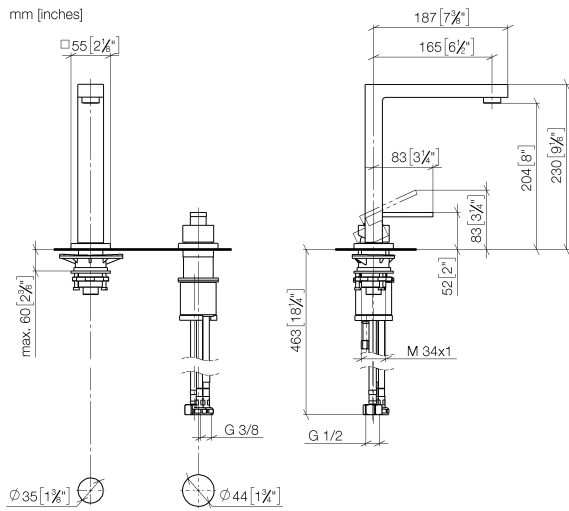
Recommended miscellaneous



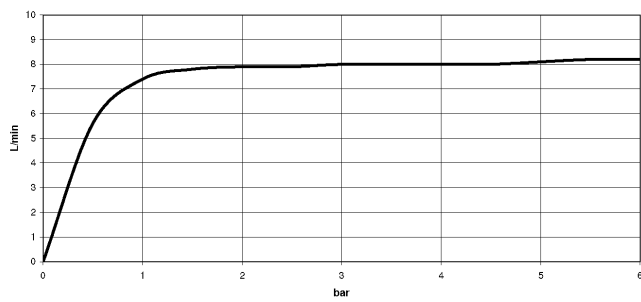
Dispenser with rosette - Dark Chrome 82 439 970-19

LOT BAR TAP Two-hole mixer with individual rosettes - Dark Chrome

32 805 680



Flow rate chart



Codes & Standards

DIN 4109

Executive Order
no. 1007

ISO 3822

Ü-Zeichen



LOT BAR TAP Two-hole mixer with individual rosettes - Dark Chrome

32 805 680

Certificates

GDV_0400

LGA_18

LOT BAR TAP Two-hole mixer with individual rosettes - Dark Chrome

32 805 680

Parts for other finishes can be found here: [Chrome](#)

