







## CL.1 Single-lever basin mixer without pop-up waste - Dark Chrome

33 521 705 Product version from 5/10/2021

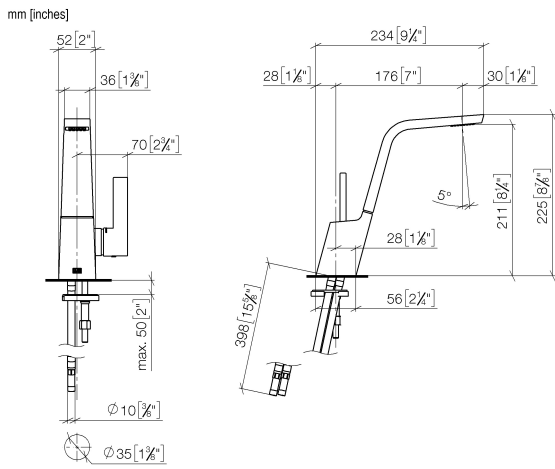


- 173mm projection
- fixed spout
- rectangular spray pattern with 40 individual jets
- height of mixer 226 mm
- base 56 x 52mm
- height up to aerator 212 mm
- hole diameter 35 mm
- 2x screw-in M 8 x 1 pressure hose, leak-tested
- max. flow 4 l/min
- lead-free
- WRAS
- This product can help a building meet the requirements of Green Building Rating Systems, e.g. LEED®, BREEAM®, DGNB

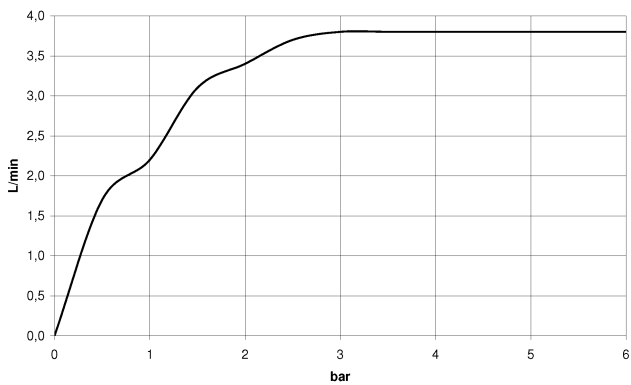
	Dark Chrome	33 521 705-19
	Chrome	33 521 705-00
	Brushed Platinum	33 521 705-06
	Brushed Champagne (22kt Gold)	33 521 705-46
	Champagne (22kt Gold)	33 521 705-47
	Brushed Dark Platinum	33 521 705-99

**CL.1 Single-lever basin mixer without pop-up waste - Dark Chrome**

33 521 705 Product version from 5/10/2021



**Flow rate chart**



**Codes & Standards**

DIN 4109

Executive Order  
no. 1007

ISO 3822

Ü-Zeichen



## CL.1 Single-lever basin mixer without pop-up waste - Dark Chrome

---

33 521 705 Product version from 5/10/2021

### Certificates

---

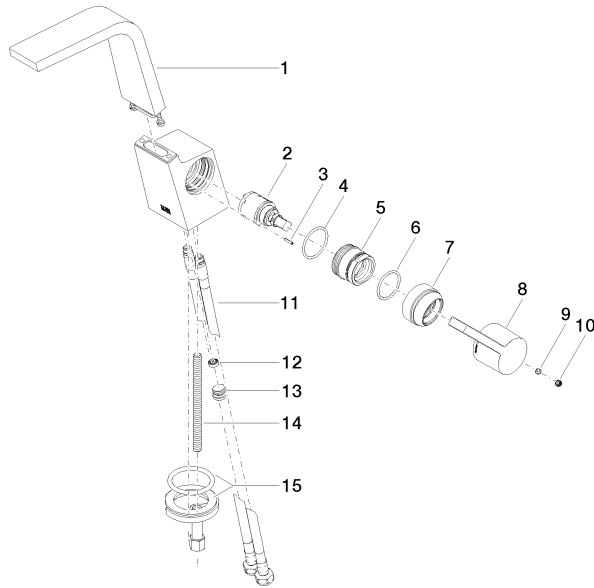
LGA\_28

GDV\_0400

## CL.1 Single-lever basin mixer without pop-up waste - Dark Chrome

33 521 705 Product version from 5/10/2021

Parts for other finishes can be found here: [Chrome](#)



### Spare parts list

No.	Item Number	Name	Quantity used	Delivery time
1	90 11 70 001 00-19	spout	1	20
2	90 15 05 042 00 90	cartridge	1	2
3	09 31 11 152 90	pin	1	2
4	09 14 10 137 90	seal	1	2
5	09 24 04 294 90	sleeve	1	2
6	90 14 10 063 00 90	seal	1	2
7	09 28 30 029-19	cover	1	60
8	09 20 67 010-19	handle	1	60
9	90 31 11 030 00 90	pin	1	2
10	90 31 20 109 00 90	plug	1	2
11	04 30 04 100 00 90	hose	2	2
12	09 23 01 034 90	flow reducer	1	2
13	04 31 20 039 11 90	plug	1	2
14	09 31 11 012 90	pin	1	2
15	04 30 11 038 75 90	fixing set	1	2