




33 527 670

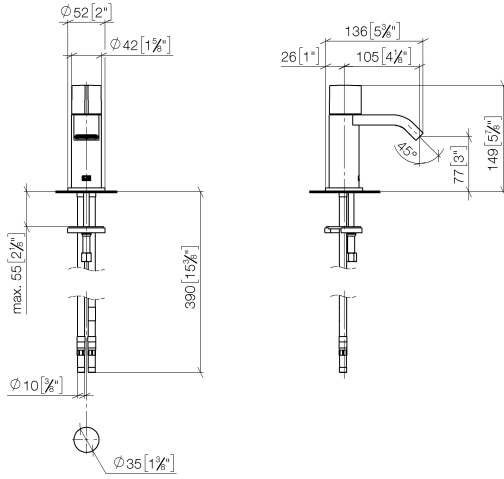


- 105mm projection
- fixed spout
- rectangular, air-enriched flow
- height of mixer 149 mm
- height up to aerator 80 mm
- hole diameter 35 mm
- progressive cartridge
- 2x screw-in M 10 x 1 pressure hose, leak-tested
- max. flow 7 l/min
- lead-free
- This product can help a building meet the requirements of Green Building Rating Systems, e.g. LEED®, BREEAM®, DGNB

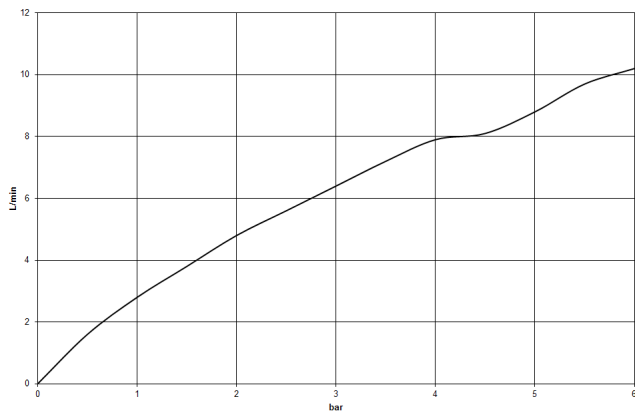
	Chrome	33 527 670-00
	Brushed Platinum	33 527 670-06
	Brushed Chrome	33 527 670-93

33 527 670

mm [inches]



Flow rate chart



Codes & Standards

DIN 4109

EN 817

Executive Order
no. 1007

ISO 3822

Ü-Zeichen

VA-Zeichen



IMO Single-lever basin mixer without pop-up waste - Chrome

IMO

33 527 670

Certificates

GDV_0400

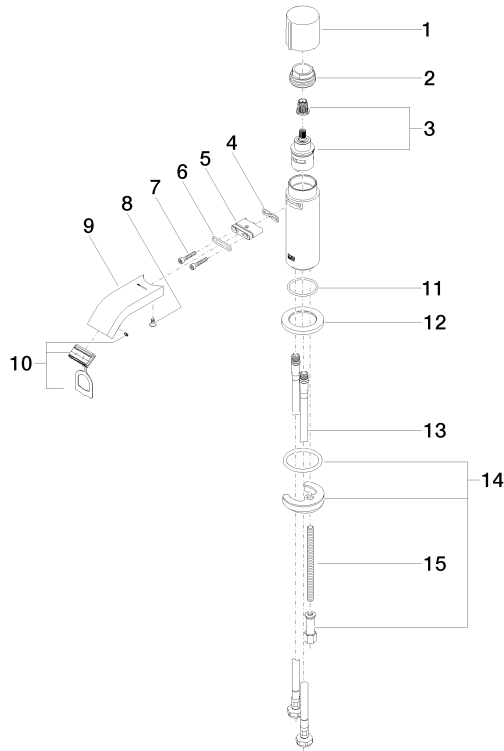
LGA_19

ETA_19

33 527 670

Product version up to 5/10/2021

Product version from 5/10/2021





IMO Single-lever basin mixer without pop-up waste - Chrome

IMO

33 527 670

Spare parts list

Product version up to 5/10/2021

Product version from 5/10/2021

No.	Item Number	Name	Quantity used	Delivery time
	09 20 67 001-00	handle	17	10