

**META SQUARE BAR TAP Single-lever mixer - Brushed Champagne (22kt Gold)**

META SQUARE

33 805 861



- 166mm projection
- pivotable spout 360°
- Optional swivel limiter available with swivel limiter set 12 820 970 90
- air-enriched flow
- max. flow 8 l/min at 3 bar flow pressure
- lead-free
- This product can help a building meet the requirements of Green Building Rating Systems, e.g. LEED®, BREEAM®, DGNB
- WRAS

	Brushed Champagne (22kt Gold)	33 805 861-46
	Chrome	33 805 861-00
	Brushed Platinum	33 805 861-06
	Platinum	33 805 861-08
	Durabrand (23kt Gold)	33 805 861-09
	Dark Chrome	33 805 861-19
	Brushed Durabrand (23kt Gold)	33 805 861-28
	Matte Black	33 805 861-33
	Champagne (22kt Gold)	33 805 861-47
	Brushed Chrome	33 805 861-93
	Brushed Dark Platinum	33 805 861-99

**Recommended miscellaneous**



**Swivel limitation set -** 12 820 970 90

**Recommended miscellaneous**



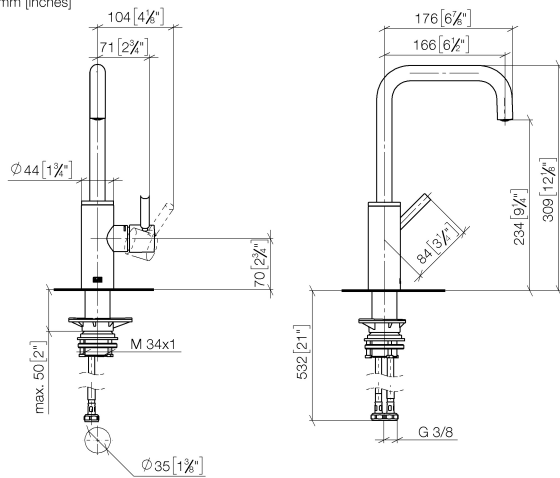
**Dispenser without rosette -  
Brushed Champagne (22kt Gold)** 82 424 970-46

**Recommended miscellaneous**

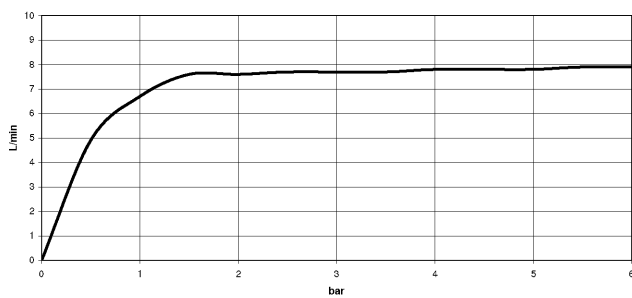


**Strainer waste with control handle  
- Brushed Champagne (22kt Gold)** 10 712 970-46

33 805 861  
mm [inches]



**Flow rate chart**



**Codes & Standards**

DIN 4109

ISO 3822

Scottish Water  
Byelaws

UK Water Supply  
Regulations

**Ü-Zeichen**



META SQUARE BAR TAP Single-lever mixer - Brushed Champagne (22kt Gold)

META SQUARE

---

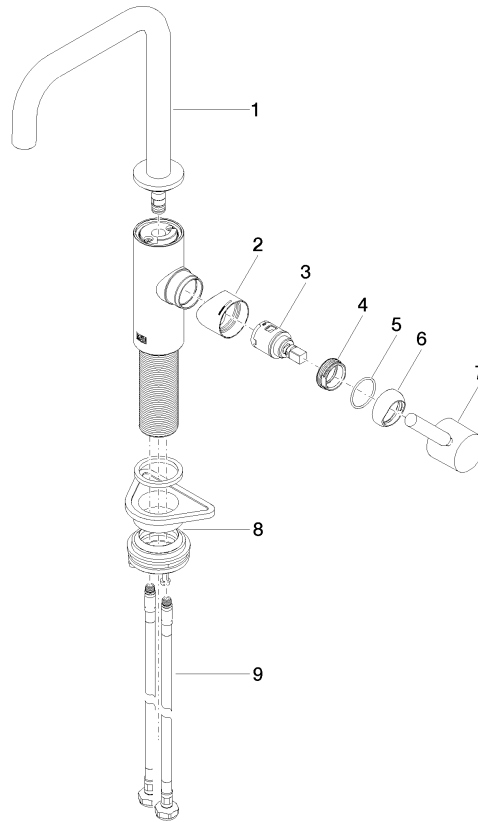
33 805 861  
Certificates

---

LGA\_38

WRAS\_240102

33 805 861



### Spare parts list

No.	Item Number	Name	Quantity used	Delivery time
1	90 28 22 285 00-46	spout	1	30
2	09 19 86 012-46	cover	1	60
3	90 15 05 042 00 90	cartridge	1	2
4	09 24 04 266 90	nut	1	2
5	09 14 10 091 90	seal	1	2
6	90 28 30 052 00-46	cover	1	30
7	90 20 66 003 00-46	handle	1	-
Spare part can no longer be ordered, please order the replacement item				
8	04 23 10 044 08 90	fixing set	1	2
9	04 30 04 101 00 90	hose	2	2