

33 805 875



- 166mm projection
- gauge mm
- pivotable spout 360°
- laminar flow
- height of mixer 303 mm
- height up to laminar flow regulator 186 mm
- hole diameter 35 mm
- max. flow 8 l/min at 3 bar flow pressure
- lead-free
- This product can help a building meet the requirements of Green Building Rating Systems, e.g. LEED®, BREEAM®, DGNB

|   |                               |               |
|---|-------------------------------|---------------|
|    | Brushed Champagne (22kt Gold) | 33 805 875-46 |
|    | Chrome                        | 33 805 875-00 |
|    | Brushed Platinum              | 33 805 875-06 |
|    | Platinum                      | 33 805 875-08 |
|    | Durabrand (23kt Gold)         | 33 805 875-09 |
|    | Dark Chrome                   | 33 805 875-19 |
|    | Brushed Durabrand (23kt Gold) | 33 805 875-28 |
|    | Matte Black                   | 33 805 875-33 |
|   | Champagne (22kt Gold)         | 33 805 875-47 |
|  | Brushed Chrome                | 33 805 875-93 |
|  | Brushed Dark Platinum         | 33 805 875-99 |

**Recommended miscellaneous**

**Dispenser without rosette - Brushed Champagne (22kt Gold)** 82 424 970-46

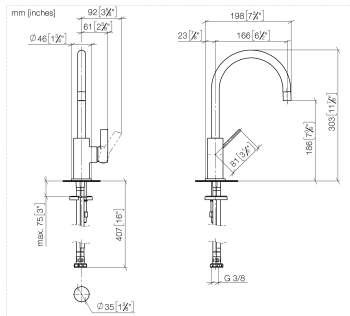


**Recommended miscellaneous**

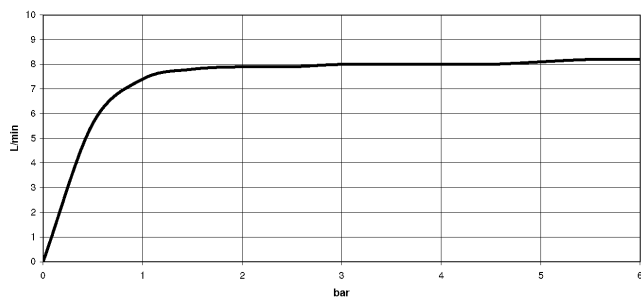
**Strainer waste with control handle - Brushed Champagne (22kt Gold)** 10 712 970-46



33 805 875



Flow rate chart



Codes & Standards

DIN 4109

ISO 3822

Ü-Zeichen



TARA ULTRA BAR TAP Single-lever mixer - Brushed Champagne (22kt Gold)

TARA ULTRA

33 805 875

Certificates

---

LGA\_18

33 805 875

Parts for other finishes can be found here: [Chrome](#)

