

33 815 888



- 236mm projection
- pivotable spout 360°
- air-enriched flow
- height of mixer 400 mm
- height up to aerator 230 mm
- hole diameter 35 mm
- max. flow 7 l/min at 3 bar flow pressure
- lead-free
- WRAS
- This product can help a building meet the requirements of Green Building Rating Systems, e.g. LEED®, BREEAM®, DGNB

	Dark Chrome	33 815 888-19
	Chrome	33 815 888-00
	Brushed Platinum	33 815 888-06
	Platinum	33 815 888-08
	Durabrand (23kt Gold)	33 815 888-09
	Brushed Durabrand (23kt Gold)	33 815 888-28
	Matte Black	33 815 888-33
	Brushed Champagne (22kt Gold)	33 815 888-46
	Champagne (22kt Gold)	33 815 888-47
	Brushed Chrome	33 815 888-93
	Brushed Dark Platinum	33 815 888-99

Recommended miscellaneous

**Strainer waste with control handle - Dark Chrome** 10 710 970-19

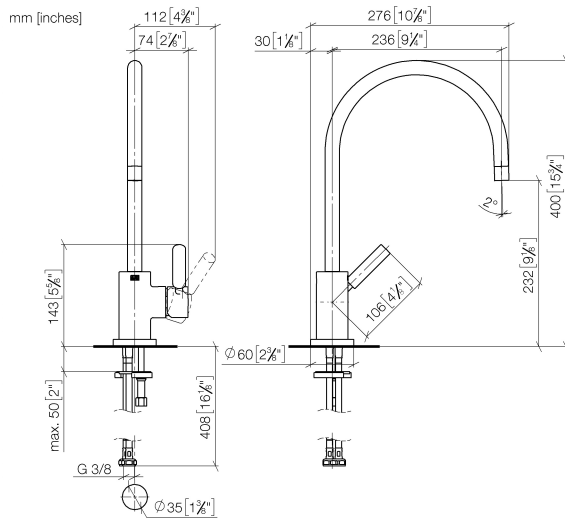


Recommended miscellaneous

**Dispenser with rosette - Dark Chrome** 82 444 970-19



33 815 888



Flow rate chart



Codes & Standards

DIN 4109

EN 817

Executive Order  
no. 1007

ISO 3822

Scottish Water  
Byelaws

UK Water Supply  
Regulations

Ü-Zeichen

VA-Zeichen



TARA Single-lever mixer - Dark Chrome

TARA

33 815 888

Certificates

GDV\_0400

ETA\_18

LGA\_8

WRAS\_2311

33 815 888

Parts for other  
finishes can be found  
here: [Chrome](#)

