

33 865 895



- 200mm projection
- Flexible silicone hose with large operating range of up to 350 mm
- pivotable spout 360°
- Optional swivel limiter available with swivel limiter set 12 821 970 90
- This product can help a building meet the requirements of Green Building Rating Systems, e.g. LEED®, BREEAM®, DGNB
- air-enriched flow and spray flow
- height of mixer 451 mm
- height up to aerator 119 mm
- hole diameter 35 mm
- sprayface with anti-scaling system
- max. flow 9.5 l/min at 3 bar flow pressure
- lead-free

Intrinsic protection against back flow.

| | | |
|---|--------------------------------|---------------|
|  | Champagne (22kt Gold) | 33 865 895-47 |
|  | Chrome | 33 865 895-00 |
|  | Brushed Platinum | 33 865 895-06 |
|  | Platinum | 33 865 895-08 |
|  | Durabronze (23kt Gold) | 33 865 895-09 |
|  | Dark Chrome | 33 865 895-19 |
|  | Brushed Durabronze (23kt Gold) | 33 865 895-28 |
|  | Matte Black | 33 865 895-33 |
|  | Brushed Champagne (22kt Gold) | 33 865 895-46 |
|  | Brushed Chrome | 33 865 895-93 |
|  | Brushed Dark Platinum | 33 865 895-99 |

Recommended miscellaneous

Swivel limitation set - 12 821 970 90



Recommended miscellaneous

Dispenser without rosette - Champagne (22kt Gold) 82 424 970-47

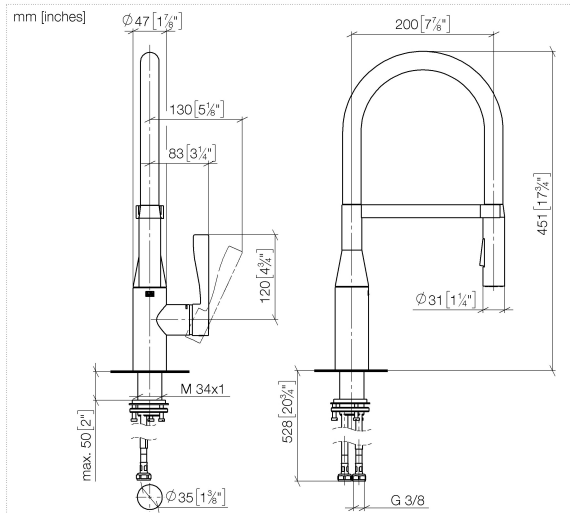


Recommended miscellaneous

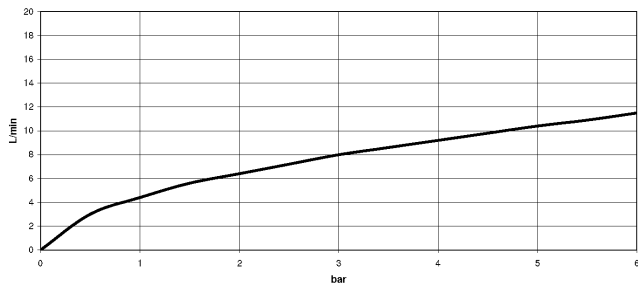
Strainer waste with control handle - Champagne (22kt Gold) 10 712 970-47



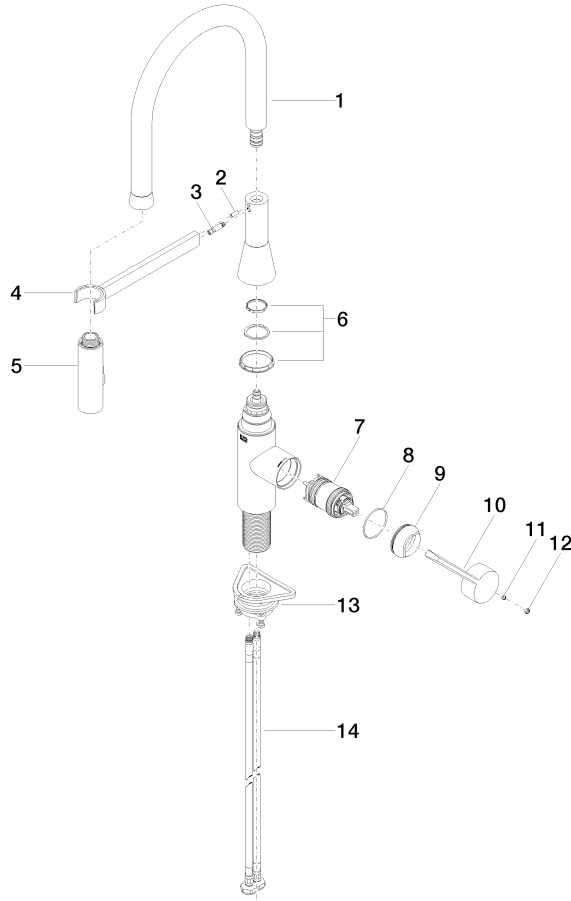
33 865 895



Flow rate chart



33 865 895



Spare parts list

| No. | Item Number | Name | Quantity used | Delivery time |
|-----|--------------------|------------|---------------|---------------|
| 1 | 90 30 02 100 00-47 | hose | 1 | 30 |
| 2 | 09 31 11 040 90 | pin | 1 | 2 |
| 3 | 09 31 11 209 90 | pin | 1 | 2 |
| 4 | 90 17 20 045 00-47 | holder | 1 | 30 |
| 5 | 04 12 11 150 00 90 | shower | 1 | 2 |
| 6 | 90 28 10 161 00 90 | set | 1 | 2 |
| 7 | 90 15 05 064 05 90 | cartridge | 1 | 2 |
| 8 | 09 14 10 190 90 | seal | 1 | 2 |
| 9 | 09 28 30 030-47 | cover | 1 | 60 |
| 10 | 09 20 89 020-47 | handle | 1 | 30 |
| 11 | 90 31 11 063 00 90 | pin | 1 | 2 |
| 12 | 90 31 20 087 00-47 | plug | 1 | 30 |
| 13 | 04 30 11 040 00 90 | fixing set | 1 | 2 |
| 14 | 04 30 04 101 00 90 | hose | 2 | 2 |