

## Concealed single-lever mixer -

35 020 970 90



- lead-free, dezincification resistant
- 2x back flow preventer
- 3x outlet G 1/2"
- 2x female thread 1/2" connections
- 2x integrated supply stop
- dust cover
- anti-water packing
- sound and thermal insulation
- gauge 60 mm
- WRAS 2207012

### Recommended miscellaneous

**Extension 25 mm -**

12 191 970 90



### Recommended miscellaneous

**Extension 25 mm -**

12 190 970 90



### Recommended miscellaneous

**Leak protection 1/2" -**

12 010 970 90

- This article is needed 2x.



### Recommended miscellaneous

**Drybox Concealed single-lever mixer with and without diverter -**

39 121 970 90

- Overflow is part of the scope of delivery.



### Recommended miscellaneous

**xGRID Attachment set for integrating in the dry wall construction -**

12 340 970 90



### Required miscellaneous

**xGRID Installation track 555 mm -** 12 360 970 90

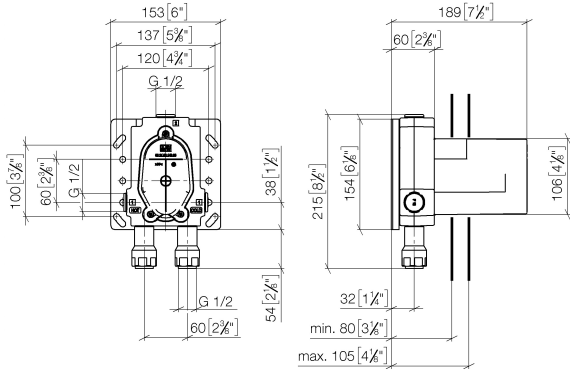




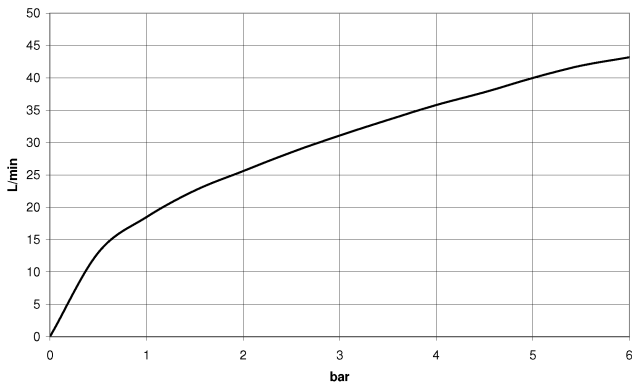
## Concealed single-lever mixer -

35 020 970 90

mm [inches]



### Flow rate chart



### Codes & Standards

DIN 4109

EN 817

ISO 3822

Scottish Water  
Byelaws

UK Water Supply  
Regulations

Ü-Zeichen



## Concealed single-lever mixer -

---

35 020 970 90

### Certificates

---

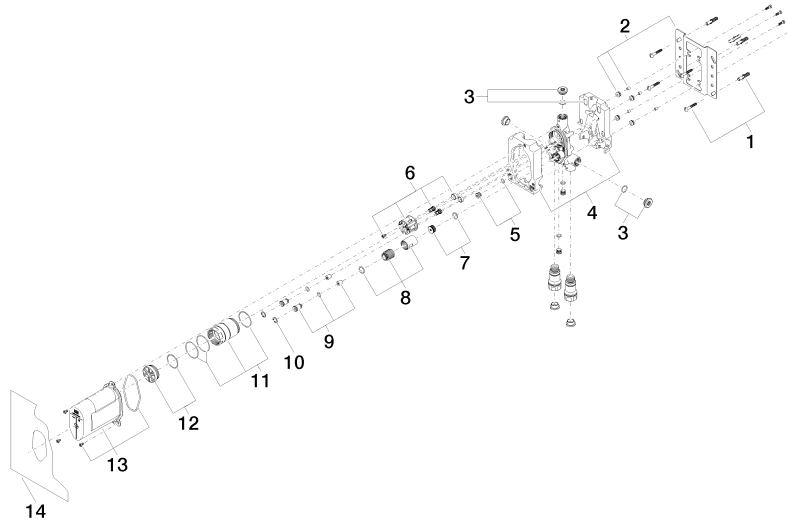
DVGW\_DW-  
6512DN0

WRAS\_2207

LGA\_19

# Concealed single-lever mixer -

35 020 970 90





## Concealed single-lever mixer -

---

35 020 970 90

### Spare parts list

No.	Item Number	Name	Quantity used	Delivery time
	04 30 31 024 01 90	fixing set	18	2