



## Concealed wall elbow -

---

35 085 970 90



- red brass, lead-free
- female thread 1/2" connection
- 1x female thread 1/2" outlet
- dust cover
- anti-water packing
- soundproofing
- WRAS 240502014, 1904021

For wall-mounted spouts and wall outlet elbows with 1/2" connection.

## Recommended miscellaneous

---

**Leak protection 1/2" -**

12 010 970 90

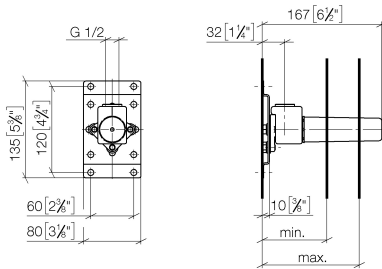




## Concealed wall elbow -

35 085 970 90

mm [inches]



|           | min         | max          |
|-----------|-------------|--------------|
| CL. 1     | 90 [3 1/2"] | 163 [6 3/8"] |
| CL. 2     | 68 [2 5/8"] | 135 [5 3/8"] |
| Domicil   | 90 [3 1/2"] | 163 [6 3/8"] |
| Gentle    | 90 [3 1/2"] | 163 [6 3/8"] |
| IMO       | 90 [3 1/2"] | 163 [6 3/8"] |
| Lissé     | 90 [3 1/2"] | 163 [6 3/8"] |
| MEM       | 90 [3 1/2"] | 163 [6 3/8"] |
| Symetrics | 90 [3 1/2"] | 163 [6 3/8"] |
| Vaia      | 90 [3 1/2"] | 163 [6 3/8"] |

### Codes & Standards

DIN 4109

ISO 3822

Scottish Water  
Byelaws

UK Water Supply  
Regulations

Ü-Zeichen

### Certificates

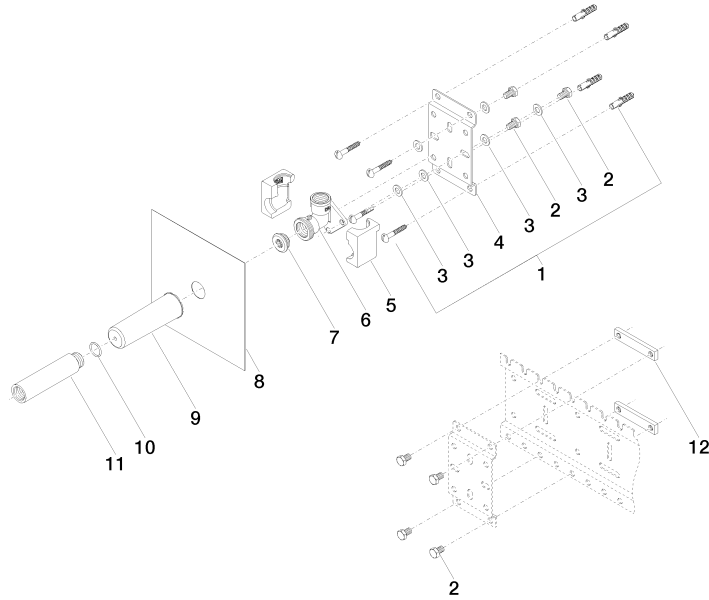
LGA\_29

WRAS\_240502

Concealed wall elbow -

35 085 970 90

Product version from 3/7/2023





## Concealed wall elbow -

---

35 085 970 90

### Spare parts list

#### Product version from 3/7/2023

| No. | Item Number        | Name       | Quantity used | Delivery time |
|-----|--------------------|------------|---------------|---------------|
|     | 04 30 31 024 01 90 | fixing set | 25            | 2             |