



## Concealed thermostat with built-in isolators -

---

35 428 970 90



- pre-seal
- lead-free, dezincification resistant
- 2x back flow preventer
- 3x outlet G 1/2"
- 2x female thread 1/2" connections
- dust cover
- anti-water packing
- sound and thermal insulation
- gauge 70 mm
- suitable for xGRID (when using installation track + 12 mm recess depth)
- WRAS 1906098

Can only be combined with exposed trim parts 36  
427 SSS-FF

### Recommended miscellaneous



**Drybox Concealed thermostat -** 39 426 970 90  
● Overflow is part of the scope of delivery.

### Recommended miscellaneous



**xGRID Attachment set for integrating in the dry wall construction -** 12 340 970 90

### Required miscellaneous



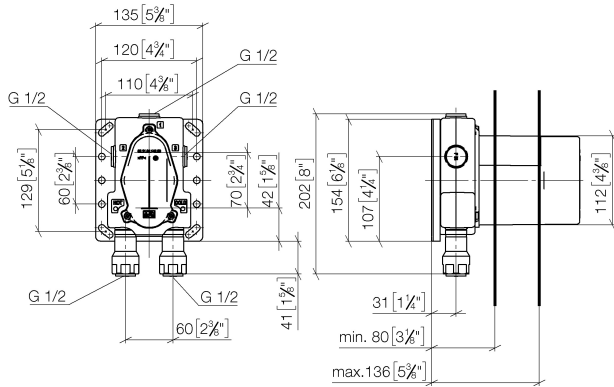
**xGRID Installation track 555 mm -** 12 360 970 90



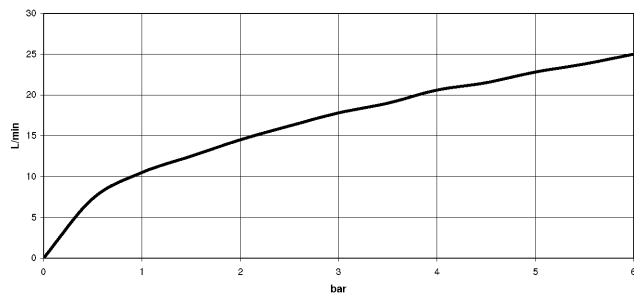
## Concealed thermostat with built-in isolators -

35 428 970 90

mm [inches]



### Flow rate chart



### Codes & Standards

EN 1111

EN 1717

Scottish Water  
Byelaws

UK Water Supply  
Regulations



## Concealed thermostat with built-in isolators -

---

35 428 970 90

### Certificates

---

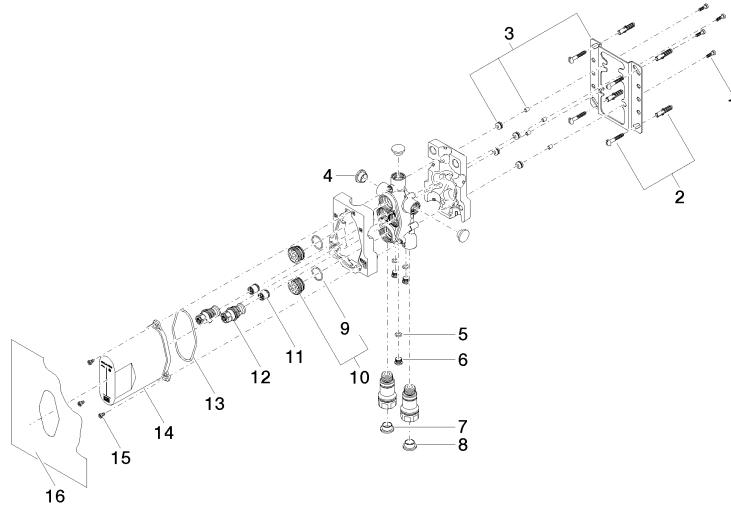
WRAS\_1906      Belgaqua\_22\_279\_2      DVGW\_DW-  
6512DN0

Concealed thermostat with built-in isolators -

---

35 428 970 90

Product version from 3/13/2017





## Concealed thermostat with built-in isolators -

---

35 428 970 90

### Spare parts list

#### Product version from 3/13/2017

No.	Item Number	Name	Quantity used	Delivery time
	09 30 30 171 90	screw	33	2