

Concealed single-lever mixer with integrated shower connection with hand shower set without hand shower - Brushed Platinum

IMO

36 002 970 Product version from 10/1/2023



- metal shower hose 1750mm with integrated anti-twist protection
- WRAS

This article does not include a hand shower!


Intrinsic protection against back flow.

This article does not include a hand shower!


Intrinsic protection against back flow.

Fits: IMO, LULU, MADISON, MEM, TARA, CL.1, LISSÉ, VAIA, META, CYO


Required miscellaneous

	Concealed wall mounting - •max. recess depth mm •min. recess depth mm	35 050 970 90
---	--	---------------


Required miscellaneous

	Hand shower FlowReduce - Brushed Platinum	28 016 979-06 0010
---	--	-----------------------

Required miscellaneous

	Hand shower FlowReduce - Brushed Platinum	28 012 979-06 0010
---	--	-----------------------

Required miscellaneous

	Hand shower - Brushed Platinum	28 018 979-06
---	---------------------------------------	---------------

Required miscellaneous

	SERIES-VARIOUS Hand shower FlowReduce - Brushed Platinum	28 029 979-06 0010
---	---	-----------------------

Required miscellaneous

	SERIES-VARIOUS Hand shower FlowReduce - Brushed Platinum	28 027 979-06 0010
---	---	-----------------------

Required miscellaneous

	Hand shower - Brushed Platinum	28 012 979-06
---	---------------------------------------	---------------


Required miscellaneous

	Hand shower - Brushed Platinum	28 017 979-06
---	---------------------------------------	---------------

Required miscellaneous

	Hand shower - Brushed Platinum	28 016 979-06
---	---------------------------------------	---------------

Required miscellaneous

	Hand shower FlowReduce - Brushed Platinum	28 018 979-06 0010
---	--	-----------------------

Required miscellaneous

	SERIES-VARIOUS Hand shower - Brushed Platinum	28 029 979-06
---	--	---------------

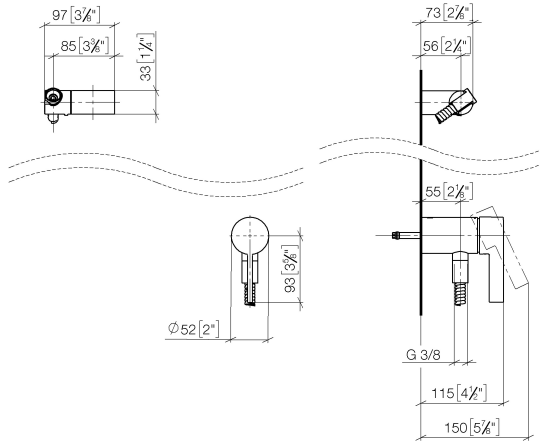
Required miscellaneous

	SERIES-VARIOUS Hand shower FlowReduce - Brushed Platinum	28 025 979-06 0010
---	---	-----------------------

Concealed single-lever mixer with integrated shower connection with hand shower set without hand shower - Brushed Platinum

IMO

36 002 970 Product version from 10/1/2023
mm [inches]



Codes & Standards

DIN 4109

EN 1717

ISO 3822

Scottish Water
Byelaws

UK Water Supply
Regulations

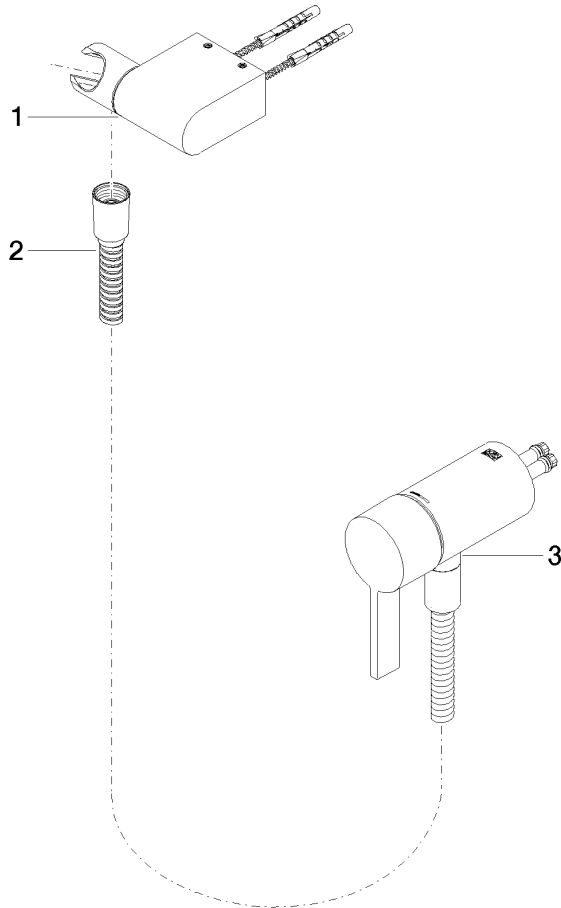
Ü-Zeichen

Certificates

Belacqua_21-025-2 WRAS_2011

LGA_29

36 002 970 Product version from 10/1/2023



Spare parts list

No.	Item Number	Name	Quantity used	Delivery time
1	28 060 970-06	Wall bracket swivel - Brushed Platinum	1	10
2	28 322 970-06	Metal shower hose 1/2" x 3/8" x 1750 mm - Brushed Platinum	1	2
3	36 050 970-06	Concealed single-lever mixer with integrated shower connection - Brushed Platinum	1	10