

Concealed single-lever mixer with integrated shower connection with hand shower set without hand shower - Brushed Dark Platinum

IMO

36 002 970



- metal shower hose 1750mm with integrated anti-twist protection
- WRAS 2011027

**This article does not include a hand shower!**

**Intrinsic protection against back flow.**

This article does not include a hand shower!

Intrinsic protection against back flow.

Fits: IMO, LULU, MADISON, MEM, TARA, CL.1, LISSÉ, VAIA, META, CYO

	Brushed Dark Platinum	36 002 970-99
	Chrome	36 002 970-00
	Brushed Platinum	36 002 970-06
	Platinum	36 002 970-08
	Dark Chrome	36 002 970-19
	Brushed Light Gold	36 002 970-27
	Brushed Durabronze (23kt Gold)	36 002 970-28
	Matte Black	36 002 970-33
	Brushed Bronze	36 002 970-42
	Brushed Champagne (22kt Gold)	36 002 970-46
	Champagne (22kt Gold)	36 002 970-47
	Brushed Chrome	36 002 970-93

**Concealed single-lever mixer with integrated shower connection with hand shower set without hand shower - Brushed Dark Platinum**

IMO

36 002 970

**Required miscellaneous**



**Concealed wall mounting -**  
 •max. recess depth 105 mm  
 •min. recess depth 80 mm

35 050 970 90

**Required miscellaneous**



**Hand shower FlowReduce -  
Brushed Dark Platinum**

28 012 979-99  
0010

**Required miscellaneous**



**Hand shower - Brushed Dark  
Platinum**

28 017 979-99

**Required miscellaneous**



**Hand shower - Brushed Dark  
Platinum**

28 016 979-99

**Required miscellaneous**



**Hand shower - Brushed Dark  
Platinum**

28 012 979-99

**Required miscellaneous**



**Hand shower FlowReduce -  
Brushed Dark Platinum**

28 016 979-99  
0010

**Required miscellaneous**



**Hand shower - Brushed Dark  
Platinum**

28 018 979-99

**Required miscellaneous**



**Hand shower FlowReduce -  
Brushed Dark Platinum**

28 018 979-99  
0010

**Required miscellaneous**



**SERIES-VARIOUS Hand shower -  
Brushed Dark Platinum**

28 029 979-99

**Required miscellaneous**



**SERIES-VARIOUS Hand shower -  
Brushed Dark Platinum**

28 029 979-99  
0010

**Required miscellaneous**



**SERIES-VARIOUS Hand shower -  
Brushed Dark Platinum**

28 027 979-99  
0010

**Required miscellaneous**



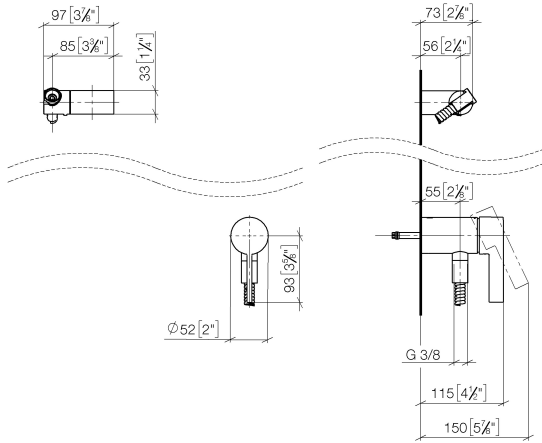
**SERIES-VARIOUS Hand shower -  
Brushed Dark Platinum**

28 025 979-99  
0010

**Concealed single-lever mixer with integrated shower connection with hand shower set without hand shower - Brushed Dark Platinum**

IMO

36 002 970  
mm [inches]



**Codes & Standards**

DIN 4109

EN 1717

ISO 3822

Scottish Water  
Byelaws

UK Water Supply  
Regulations

Ü-Zeichen

**Certificates**

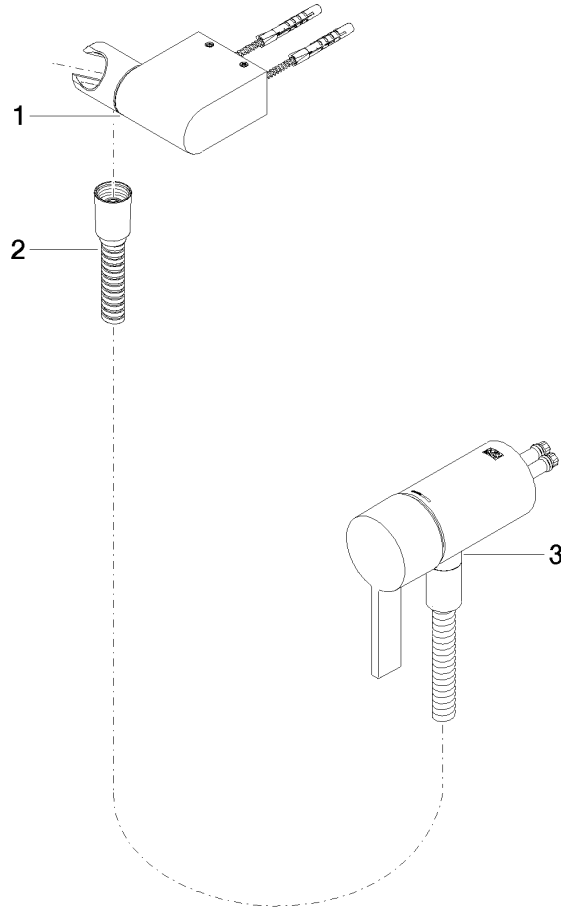
Belgaqua\_21-025-2 WRAS\_2011

LGA\_29

Concealed single-lever mixer with integrated shower connection with hand shower set without hand shower - Brushed Dark Platinum

36 002 970

Product version from 10/1/2023





Concealed single-lever mixer with integrated shower connection with hand shower set without hand shower - Brushed Dark Platinum

IMO

36 002 970

### Spare parts list

Product version from 10/1/2023

No.	Item Number	Name	Quantity used	Delivery time
	28 060 970-99	Wall bracket swivel - Brushed Dark Platinum	3	30