

Showerpipe with single-lever shower mixer without hand shower - Champagne (22kt Gold)

IMO

36 112 970



Fits: IMO, LULU, TARA, LISSÉ, VAIA, META

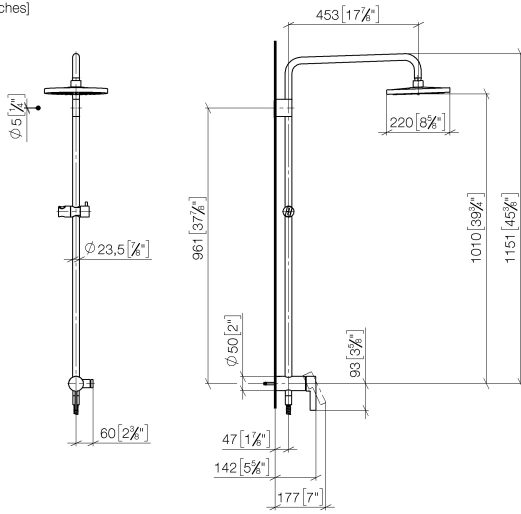
- shower with fixed riser projection 450mm
- overhead shower: rain flow
- rain shower Ø 220 mm
- rain shower with anti-scale system
- max. rainshower flow 14 l/min
- height of fittings up to rain shower (bottom edge) 1010mm
- height of fittings up to top edge of elbow 1150mm
- metal shower hose 1750mm with integrated anti-twist protection
- 1/2" connection
- slide bar
- Pipe diameter 23.5 mm
- automatic diverter for fixed-riser shower/hand shower
- quick clearing
- WRAS 2101043

This article does not include a hand shower!

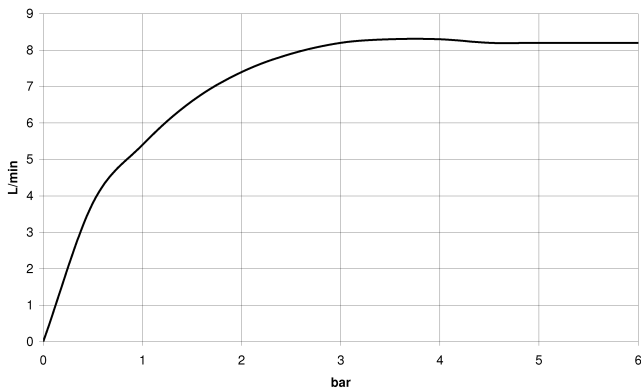
Intrinsic protection against back flow.

**Showerpipe with single-lever shower mixer without hand shower - Champagne
(22kt Gold)**

36 112 970
mm [inches]
1:10



Flow rate chart



Codes & Standards

DIN 4109

EN 817

ISO 3822

Ü-Zeichen



Showerpipe with single-lever shower mixer without hand shower - Champagne
(22kt Gold)

IMO

36 112 970

Certificates

DVGW_DW-
6512DN0

LGA_38

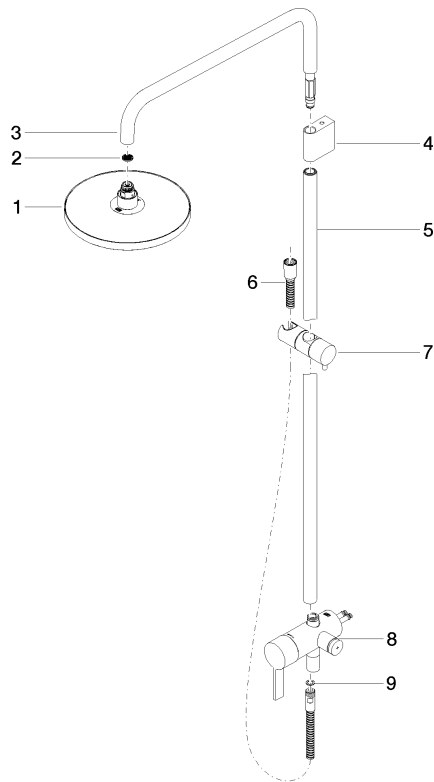


Showerpipe with single-lever shower mixer without hand shower - Champagne (22kt Gold)

IMO

36 112 970

Product version from 4/1/2024





Showerpipe with single-lever shower mixer without hand shower - Champagne
(22kt Gold)

IMO

36 112 970

Spare parts list

Product version from 4/1/2024

No.	Item Number	Name	Quantity used	Delivery time
	04 12 05 092 00-47	shower	9	60