




## EDITION PRO Dispenser wall model - Matte Black

---

83 435 626



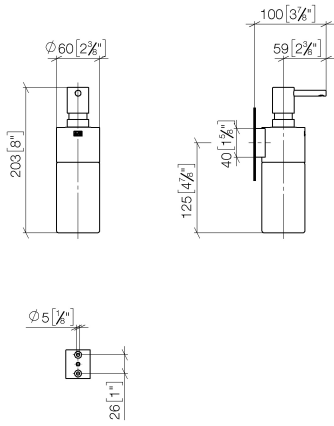
- bottle made of crystal glass, matt
- width 60mm
- height 203 mm
- 250 ml bottle
- 100mm projection

	Matte Black	83 435 626-33
	Chrome	83 435 626-00
	Brushed Chrome	83 435 626-93

EDITION PRO Dispenser wall model - Matte Black

83 435 626

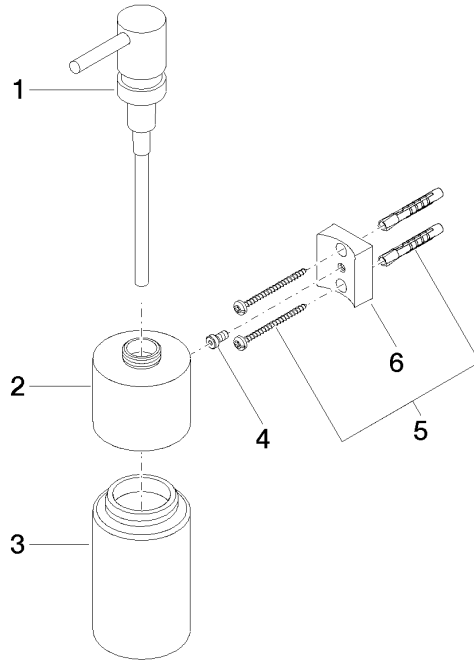
mm [inches]



**EDITION PRO Dispenser wall model - Matte Black**

83 435 626

Parts for other finishes can be found here: [Chrome](#)



**Spare parts list**

No.	Item Number	Name	Quantity used	Delivery time
1	90 10 10 535 00-33	dispenser	1	50
2	90 10 10 525 00-33	base	1	-
Spare part can no longer be ordered, please order the replacement item				
3	90 90 04 001 00 82	glass	1	2
4	09 30 30 093 90	screw	1	2
5	05 30 31 025 00 90	fixing set	1	2
6	08 10 10 530-33	holder	1	30