

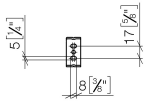
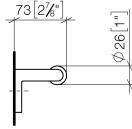
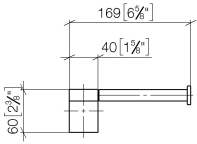
83 500 670

- width 166mm
- height 60 mm
- 73mm projection



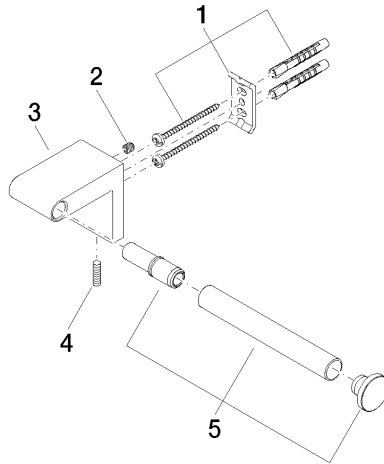
83 500 670

mm [inches]



83 500 670

Product version from 4/1/2024





IMO Tissue holder without cover - Chrome

IMO

83 500 670

Spare parts list

Product version from 4/1/2024

No.	Item Number	Name	Quantity used	Delivery time
	05 17 20 736 00 90	fixing set	5	2