

83 500 892



- width 152mm
- height 100 mm
- rosette Ø 55 mm
- 72mm projection

	Brushed Durabronze (23kt Gold)	83 500 892-28
	Chrome	83 500 892-00
	Brushed Platinum	83 500 892-06
	Platinum	83 500 892-08
	Dark Chrome	83 500 892-19
	Matte Black	83 500 892-33
	Brushed Bronze	83 500 892-42
	Brushed Champagne (22kt Gold)	83 500 892-46
	Champagne (22kt Gold)	83 500 892-47
	Brushed Chrome	83 500 892-93
	Brushed Dark Platinum	83 500 892-99

83 500 892

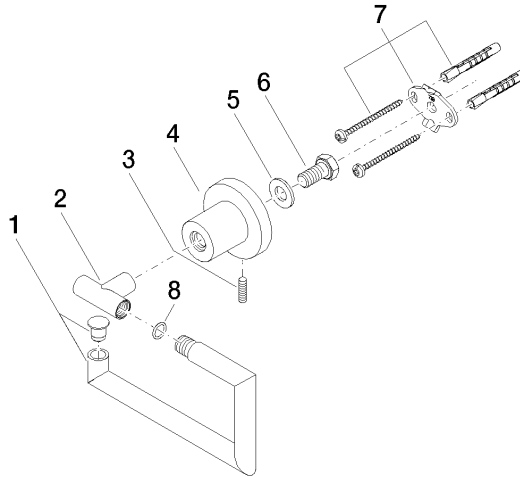
mm [inches]



83 500 892

**Product version from 4/1/2024**

Parts for other  
finishes can be found  
here: [Chrome](#)





TARA Tissue holder without cover - Brushed Durabronz (23kt Gold)

TARA

83 500 892

**Spare parts list**

**Product version from 4/1/2024**

No.	Item Number	Name	Quantity used	Delivery time
	90 28 22 640 00-28	holder	8	20