

Tissue holder without cover - Light Gold

LISSÉ

83 500 979



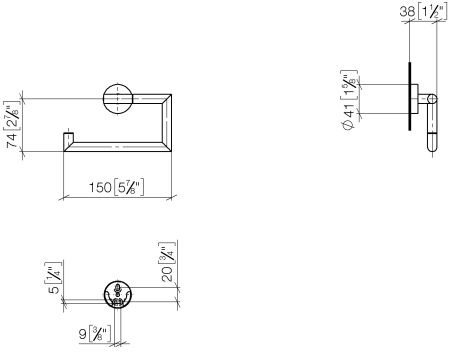
- width 150mm
- height 95 mm
- rosette Ø 40 mm
- 40mm projection

Fits: LISSÉ, META

|  |                               |               |
|--|-------------------------------|---------------|
|    | Light Gold                    | 83 500 979-26 |
|    | Chrome                        | 83 500 979-00 |
|    | Brushed Platinum              | 83 500 979-06 |
|    | Dark Chrome                   | 83 500 979-19 |
|    | Brushed Light Gold            | 83 500 979-27 |
|    | Matte Black                   | 83 500 979-33 |
|    | Brushed Bronze                | 83 500 979-42 |
|    | Brushed Champagne (22kt Gold) | 83 500 979-46 |
|    | Champagne (22kt Gold)         | 83 500 979-47 |
|   | Brushed Chrome                | 83 500 979-93 |
|  | Brushed Dark Platinum         | 83 500 979-99 |

83 500 979

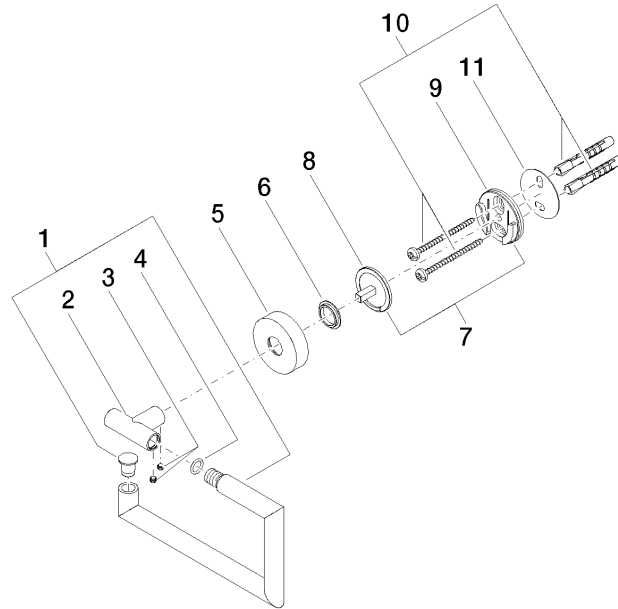
mm [inches]



83 500 979

**Product version from 7/1/2023**

Parts for other  
finishes can be found  
here: [Chrome](#)





Tissue holder without cover - Light Gold

LISSE

83 500 979

**Spare parts list**

**Product version from 7/1/2023**

| No. | Item Number        | Name   | Quantity used | Delivery time |
|-----|--------------------|--------|---------------|---------------|
|     | 90 28 22 626 00-26 | holder | 12            | 30            |