







MADISON Reserve tissue holder - Platinum

83 590 361 Product version from 7/3/2016



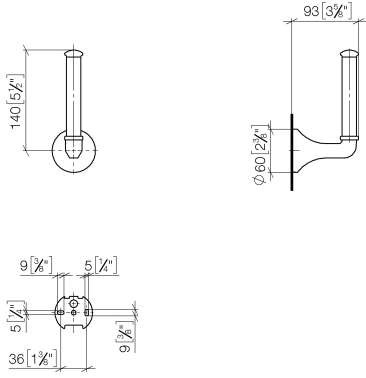
- height 170 mm
- rosette Ø 60 mm
- 93mm projection

	Platinum	83 590 361-08
	Chrome	83 590 361-00
	Brushed Platinum	83 590 361-06
	Durabass (23kt Gold)	83 590 361-09
	Brushed Durabass (23kt Gold)	83 590 361-28
	Brushed Dark Platinum	83 590 361-99

MADISON Reserve tissue holder - Platinum

83 590 361 Product version from 7/3/2016

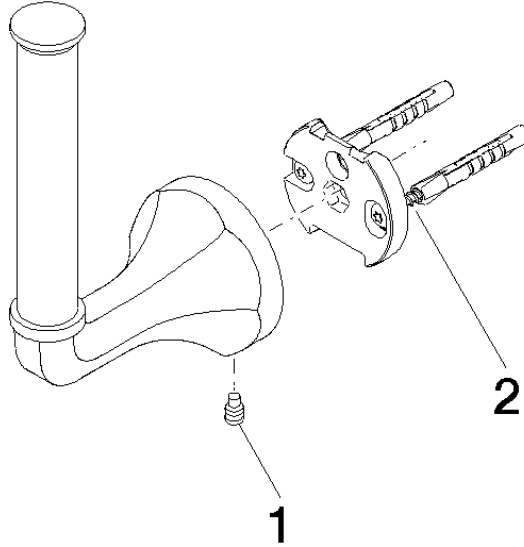
mm [inches]



MADISON Reserve tissue holder - Platinum

83 590 361 Product version from 7/3/2016

Parts for other finishes can be found here: [Chrome](#)



Spare parts list

No.	Item Number	Name	Quantity used	Delivery time
1	04 31 11 140 00 90	pin	1	2
2	05 17 97 507 00 90	fixing set	1	2