

12 660 979



Fits: IMO, LULU, MADISON, MEM, TARA, CL.1, LISSÉ, VAIA, META, CYO

- cover plate 150 x 240 x 15 mm
- flush handle with rotary operation and two-volume technology (full flush/partial flush)

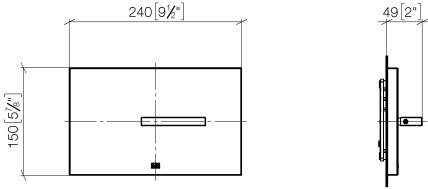
**This product is compatible with the following TECE products:**

- TECEprofil dry wall construction, article numbers:
  - 9300300, 9300322, 9300301, 9300344, 9300309, 9300303, 9300388, 9300366, 9300102, 9300103
- TECEbox wet wall construction, article numbers:
  - 9370300, 9375300, 9371300

	Platinum	12 660 979-08
	Chrome	12 660 979-00
	Brushed Platinum	12 660 979-06
	Dark Chrome	12 660 979-19
	Light Gold	12 660 979-26
	Brushed Light Gold	12 660 979-27
	Brushed Durabronze (23kt Gold)	12 660 979-28
	Matte Black	12 660 979-33
	Brushed Bronze	12 660 979-42
	Brushed Champagne (22kt Gold)	12 660 979-46
	Champagne (22kt Gold)	12 660 979-47
	Brushed Chrome	12 660 979-93
	Brushed Dark Platinum	12 660 979-99

12 660 979

mm [inches]

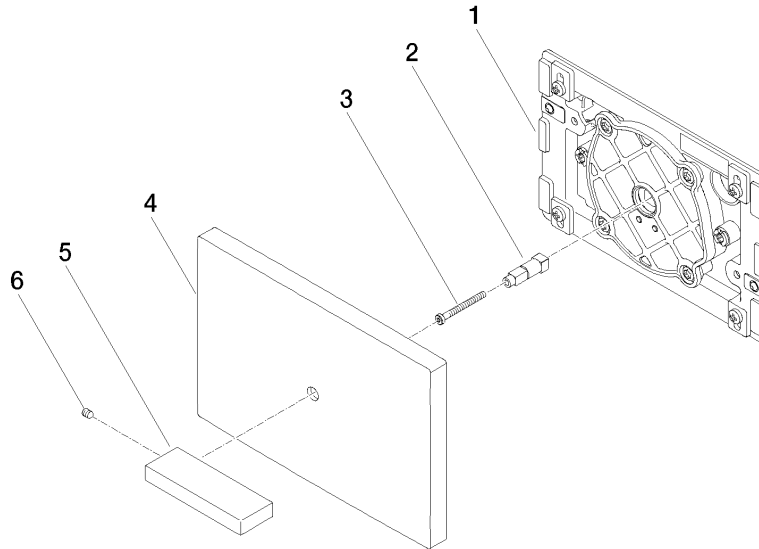


12 660 979

Product version up to 5/27/2021

**Product version from 5/27/2021**

Parts for other  
finishes can be found  
here: [Chrome](#)





Cover plate for the concealed WC cistern made by TeCe - Platinum

IMO

12 660 979

Spare parts list

Product version up to 5/27/2021

**Product version from 5/27/2021**

No.	Item Number	Name	Quantity used	Delivery time
	04 28 01 053 00 90	plate	6	2