

12 660 979



Fits: IMO, LULU, MADISON, MEM, TARA, CL.1, LISSÉ, VAIA, META, CYO

- cover plate 150 x 240 x 15 mm
- flush handle with rotary operation and two-volume technology (full flush/partial flush)

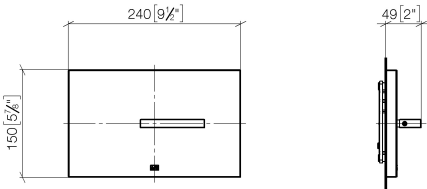
**This product is compatible with the following TECE products:**

- TECEprofil dry wall construction, article numbers:
  - 9300300, 9300322, 9300301, 9300344, 9300309, 9300303, 9300388, 9300366, 9300102, 9300103
- TECEbox wet wall construction, article numbers:
  - 9370300, 9375300, 9371300

|  |                                |               |
|--|--------------------------------|---------------|
|    | Brushed Chrome                 | 12 660 979-93 |
|    | Chrome                         | 12 660 979-00 |
|    | Brushed Platinum               | 12 660 979-06 |
|    | Platinum                       | 12 660 979-08 |
|    | Dark Chrome                    | 12 660 979-19 |
|    | Light Gold                     | 12 660 979-26 |
|    | Brushed Light Gold             | 12 660 979-27 |
|    | Brushed Durabronze (23kt Gold) | 12 660 979-28 |
|    | Matte Black                    | 12 660 979-33 |
|   | Brushed Bronze                 | 12 660 979-42 |
|  | Brushed Champagne (22kt Gold)  | 12 660 979-46 |
|  | Champagne (22kt Gold)          | 12 660 979-47 |
|  | Brushed Dark Platinum          | 12 660 979-99 |

12 660 979

mm [inches]

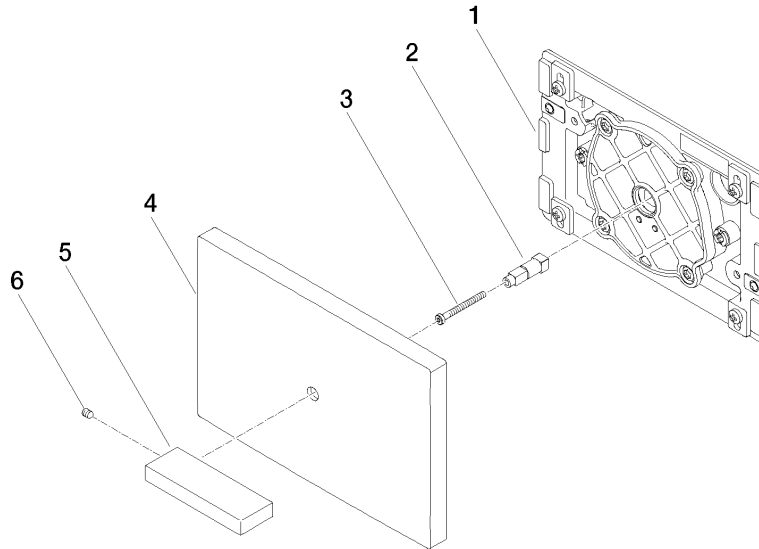


12 660 979

Product version up to 5/27/2021

**Product version from 5/27/2021**

Parts for other  
finishes can be found  
here: [Chrome](#)





Cover plate for the concealed WC cistern made by TeCe - Brushed Chrome

IMO

12 660 979

Spare parts list

Product version up to 5/27/2021

**Product version from 5/27/2021**

| No. | Item Number        | Name  | Quantity used | Delivery time |
|-----|--------------------|-------|---------------|---------------|
|     | 04 28 01 053 00 90 | plate | 6             | 2             |