

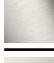






MEM Bath spout without diverter for free-standing assembly - Brushed Champagne (22kt Gold)

13 672 780 Product version from 9/30/2005



- 280mm projection
- cascade
- total height 830 - 900 mm
- height up to aerator 665 – 735 mm
- push-on rosette 130 x 130 mm
- max. flow 47.8 l/min at 3 bar flow pressure
- WRAS

	Brushed Champagne (22kt Gold)	13 672 780-46
	Chrome	13 672 780-00
	Brushed Platinum	13 672 780-06
	Platinum	13 672 780-08
	Dark Chrome	13 672 780-19
	Brushed Durabronze (23kt Gold)	13 672 780-28
	Champagne (22kt Gold)	13 672 780-47

Required miscellaneous

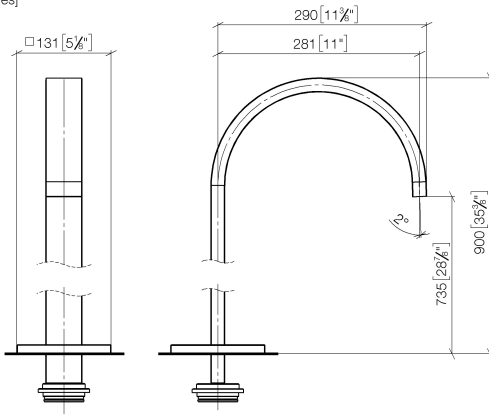


- Concealed floor mounting -** 35 945 970 90
- max. recess depth mm
 - min. recess depth mm

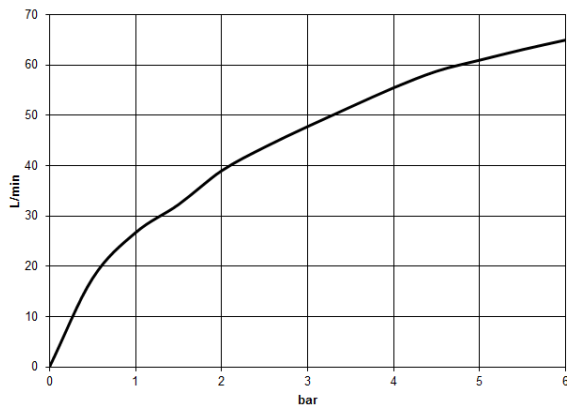


MEM Bath spout without diverter for free-standing assembly - Brushed Champagne (22kt Gold)

13 672 780 Product version from 9/30/2005
mm [inches]



Flow rate chart



Codes & Standards

ASME A112.18.1

cUPC

DIN 4109

ISO 3822

Ü-Zeichen



MEM Bath spout without diverter for free-standing assembly - Brushed Champagne (22kt Gold)

13 672 780 Product version from 9/30/2005

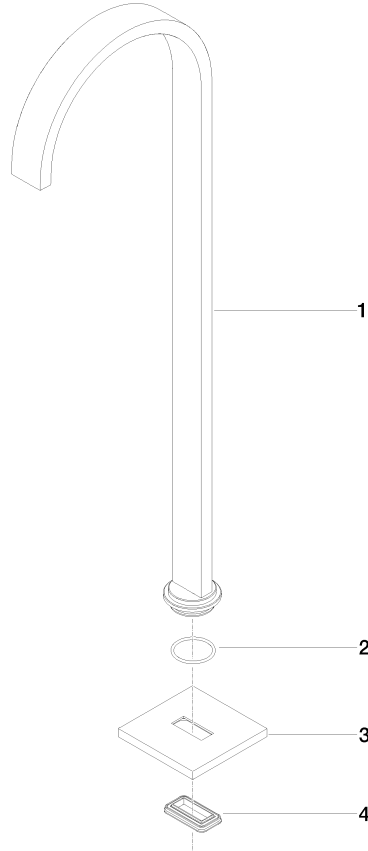
Certificates

IAPMO_4976

LGA_18

**MEM Bath spout without diverter for free-standing assembly - Brushed
Champagne (22kt Gold)**

13 672 780 Product version from 9/30/2005



Spare parts list

No.	Item Number	Name	Quantity used	Delivery time
1	04 28 22 183 00-46	spout	1	30
2	09 14 10 084 90	seal	1	2
3	09 27 78 022-46	rosette	1	30
4	09 14 03 106 90	seal	1	2