

## SYMETRICS Deck-mounted basin spout with pop-up waste - Chrome

---

13 713 980



- 165mm projection
- fixed spout
- circular, air-enriched flow
- height of mixer 230 mm
- height up to aerator 205 mm
- hole diameter 35 mm
- 2x screw-in M 10 x 1 pressure hose, leak-tested
- rosette 60 x 60 mm
- max. flow 7 l/min
- lead-free

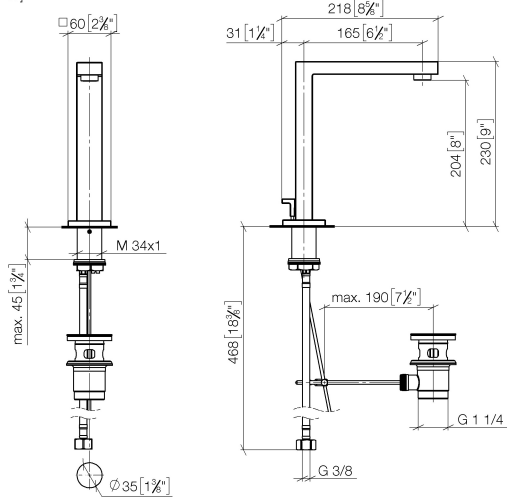
Only suitable for basins with an overflow.



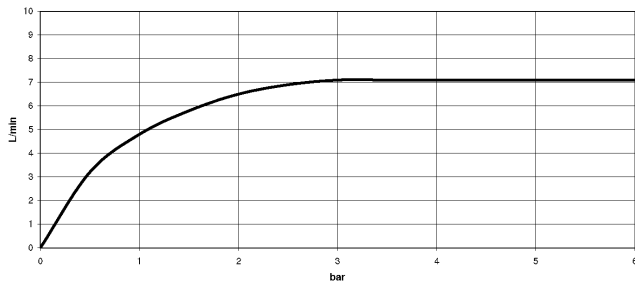
## SYMETRICS Deck-mounted basin spout with pop-up waste - Chrome

13 713 980

mm [inches]



### Flow rate chart



### Codes & Standards

DIN 4109

EN 200

ISO 3822

Ü-Zeichen

VA-Zeichen



## SYMETRICS Deck-mounted basin spout with pop-up waste - Chrome

---

13 713 980

### Certificates

---

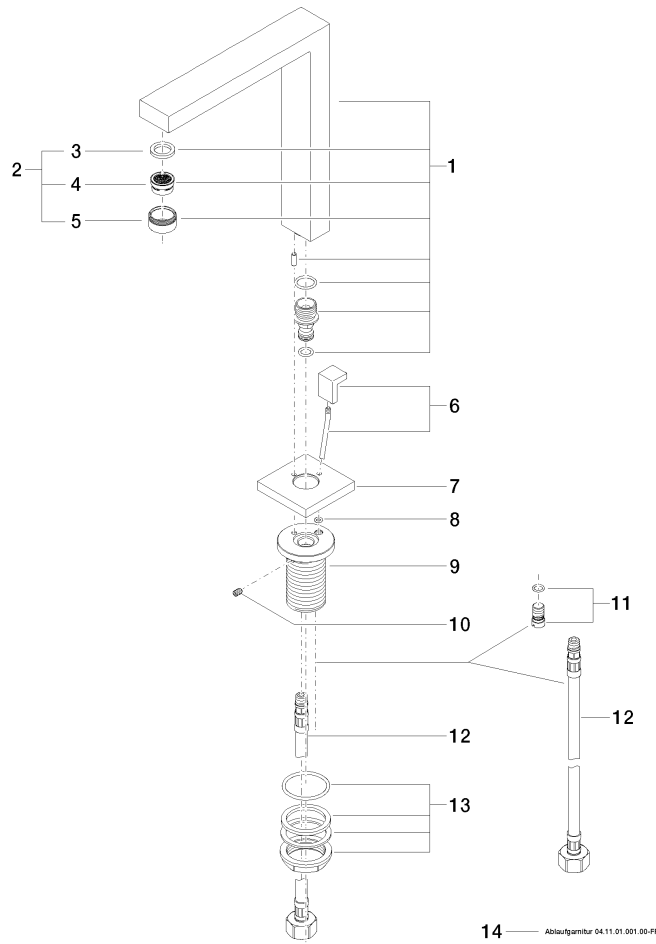
LGA\_18

ETA\_18

# SYMETRICS Deck-mounted basin spout with pop-up waste - Chrome

13 713 980

Product version from 4/30/2009





## SYMETRICS Deck-mounted basin spout with pop-up waste - Chrome

---

13 713 980

### **Spare parts list**

**Product version from 4/30/2009**