

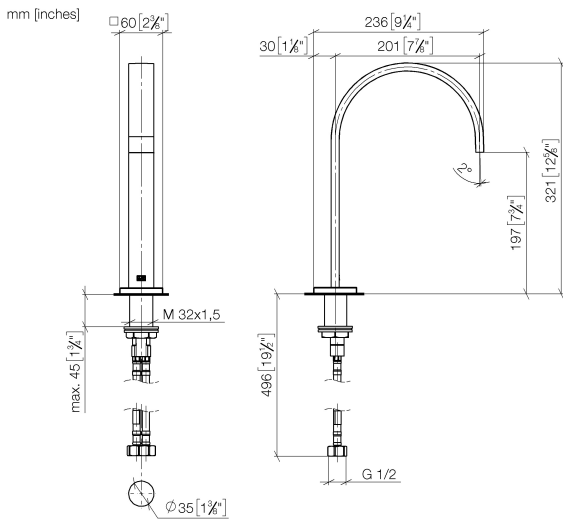
13 716 782



- 200mm projection
- fixed spout
- rectangular, air-enriched flow
- height of mixer 321 mm
- height up to aerator 190 mm
- hole diameter 35 mm
- rosette 60 x 60 mm
- 2x screw-in M 10 x 1 pressure hose, leak-tested
- 1/2" connection
- max. flow 5.7 l/min
- lead-free
- This product can help a building meet the requirements of Green Building Rating Systems, e.g. LEED®, BREEAM®, DGNB

	Platinum	13 716 782-08
	Chrome	13 716 782-00
	Brushed Platinum	13 716 782-06
	Dark Chrome	13 716 782-19
	Brushed Durabronze (23kt Gold)	13 716 782-28
	Brushed Champagne (22kt Gold)	13 716 782-46
	Champagne (22kt Gold)	13 716 782-47
	Brushed Dark Platinum	13 716 782-99

13 716 782



**Flow rate chart**



**Codes & Standards**

DIN 4109

Executive Order  
no. 1007

ISO 3822

Ü-Zeichen



MEM Deck-mounted basin spout without pop-up waste - Platinum

---

MEM

13 716 782

Certificates

---

LGA\_28

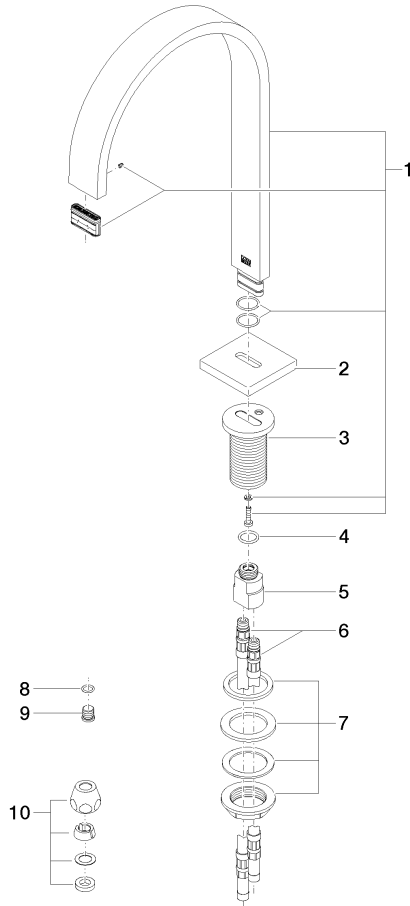
GDV\_0400

13 716 782

Product version from 3/10/2014 to 6/16/2021

**Product version from 7/1/2021**

Parts for other finishes can be found here: [Chrome](#)





MEM Deck-mounted basin spout without pop-up waste - Platinum

MEM

13 716 782

Spare parts list

Product version from 3/10/2014 to 6/16/2021

**Product version from 7/1/2021**

No.	Item Number	Name	Quantity used	Delivery time
	90 28 22 155 01-08	spout	12	40