



**LULU Bath spout for wall mounting - Chrome**

LULU

13 801 710



- 200mm projection
- circular normal flow
- hole diameter 37 mm
- 1/2" connection
- plug-link mounting
- max. flow 23.5 l/min at 3 bar flow pressure
- WRAS 2305027

	Chrome	13 801 710-00
	Brushed Platinum	13 801 710-06

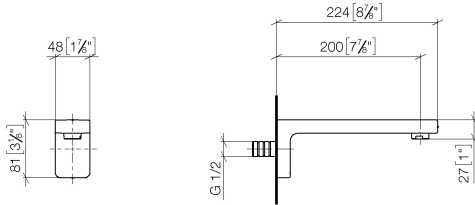
**Recommended miscellaneous**



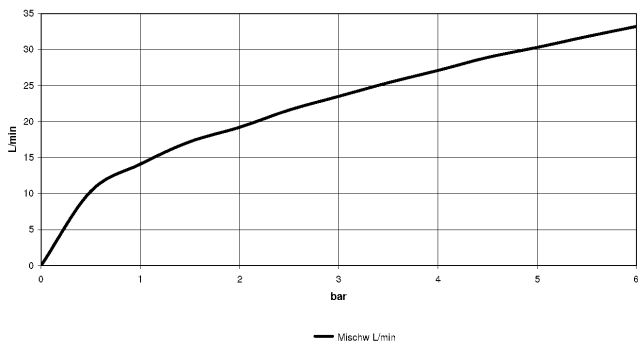
- Concealed wall elbow -** 35 085 970 90
- max. recess depth 163 mm
  - min. recess depth 90 mm

13 801 710

mm [inches]



**Flow rate chart**



**Codes & Standards**

ASME A112.18.1

cUPC

DIN 4109

ISO 3822

Scottish Water  
Byelaws

UK Water Supply  
Regulations

Ü-Zeichen



## LULU Bath spout for wall mounting - Chrome

---

LULU

13 801 710

### Certificates

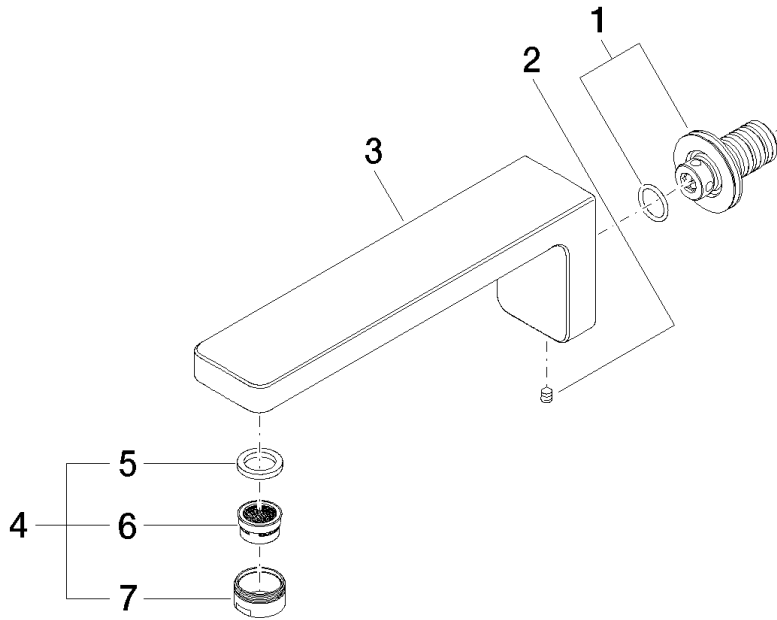
---

IAPMO\_4976

LGA\_9

WRAS\_2305

Product version from 3/31/2009





13 801 710

## **Spare parts list**

**Product version from 3/31/2009**