



13 801 710



- 200mm projection
- circular normal flow
- hole diameter 37 mm
- 1/2" connection
- plug-link mounting
- max. flow 23.5 l/min at 3 bar flow pressure
- WRAS 2305027

	Brushed Platinum	13 801 710-06
	Chrome	13 801 710-00

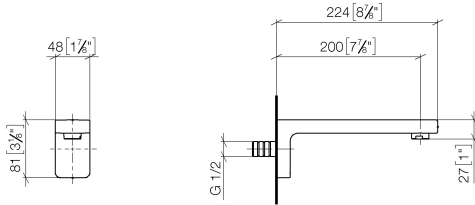
Recommended miscellaneous



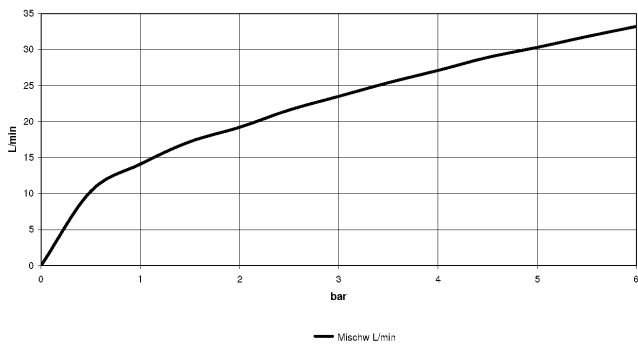
- Concealed wall elbow -** 35 085 970 90
- max. recess depth 163 mm
 - min. recess depth 90 mm

13 801 710

mm [inches]



Flow rate chart



Codes & Standards

ASME A112.18.1

cUPC

DIN 4109

ISO 3822

Scottish Water
Byelaws

UK Water Supply
Regulations

Ü-Zeichen



LULU Bath spout for wall mounting - Brushed Platinum

LULU

13 801 710

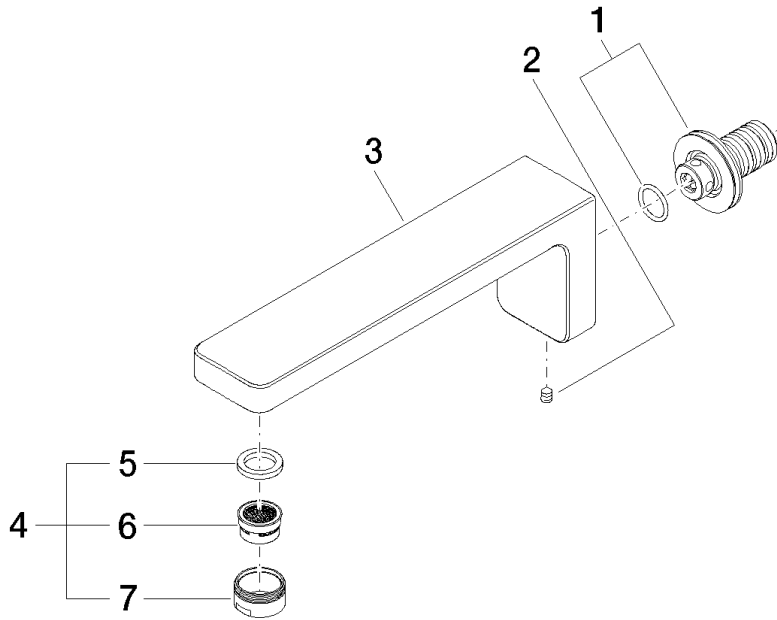
Certificates

IAPMO_4976

LGA_9

WRAS_2305

Product version from 3/31/2009





13 801 710

Spare parts list

Product version from 3/31/2009