

17 861 888



- 146mm projection
  - rigid, thermally insulated spout
  - laminar flow
  - height of mixer 288 mm
  - height up to laminar flow regulator 180 mm
  - hole diameter 35 mm
  - provides filtered, hot water up to 93°C
  - provides filtered, cold water
  - max. flow 2 l/min at 3 bar flow pressure
  - ready-to-use control unit for wall mounting (137mm x 159mm x 60mm)
  - electronic magnetic valve
  - 100-230 V, 50-60 Hz, 18 W power supply unit, incl. country-specific adapter set
  - lead-free
  - Spout ring cannot be removed.
  - This product can help a building meet the requirements of Green Building Rating Systems, e.g. LEED®, BREEAM®, DGNB
- A minimum flow pressure of 3 bar is necessary for the HOT & COLD WATER DISPENSER to work perfectly in conjunction with a hot water tank and filter.**  
**In addition, the installation must be above a kitchen sink.**  
**The filter cartridge must be changed every six months. The installation instructions contain further information for guidance.**  
**Detailed planning information and technical data can be found at [www.dornbracht.com/professional](http://www.dornbracht.com/professional)**

A minimum flow pressure of 3 bar is necessary for the HOT & COLD WATER DISPENSER to work perfectly in conjunction with a hot water tank and filter.

In addition, the installation must be above a kitchen sink.

The filter cartridge must be changed every six months. The installation instructions contain further information for guidance.

Detailed planning information and technical data can be found at [www.dornbracht.com/professional](http://www.dornbracht.com/professional)

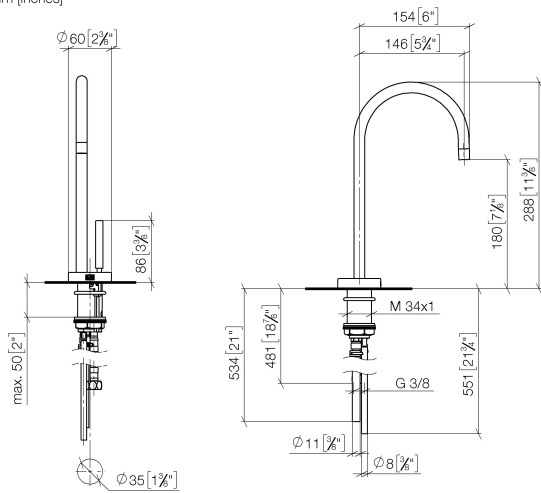
|  |                               |               |
|--|-------------------------------|---------------|
|  | Platinum                      | 17 861 888-08 |
|  | Chrome                        | 17 861 888-00 |
|  | Brushed Platinum              | 17 861 888-06 |
|  | Durabrace (23kt Gold)         | 17 861 888-09 |
|  | Dark Chrome                   | 17 861 888-19 |
|  | Brushed Durabrace (23kt Gold) | 17 861 888-28 |
|  | Matte Black                   | 17 861 888-33 |
|  | Brushed Champagne (22kt Gold) | 17 861 888-46 |
|  | Champagne (22kt Gold)         | 17 861 888-47 |
|  | Brushed Chrome                | 17 861 888-93 |
|  | Brushed Dark Platinum         | 17 861 888-99 |

Required miscellaneous

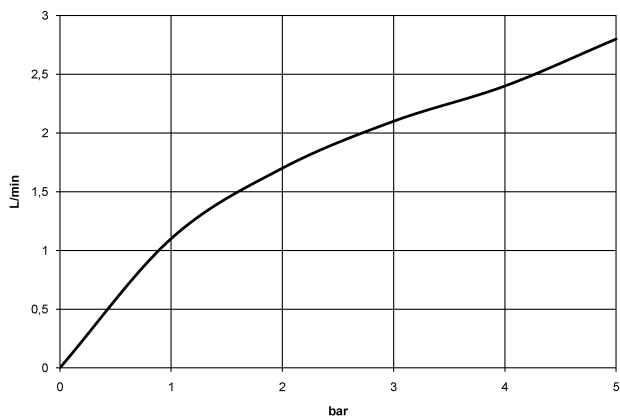
|  |                               |               |
|--|-------------------------------|---------------|
|  | Hot water tank incl. filter - | 12 892 970 90 |
|--|-------------------------------|---------------|

17 861 888

mm [inches]



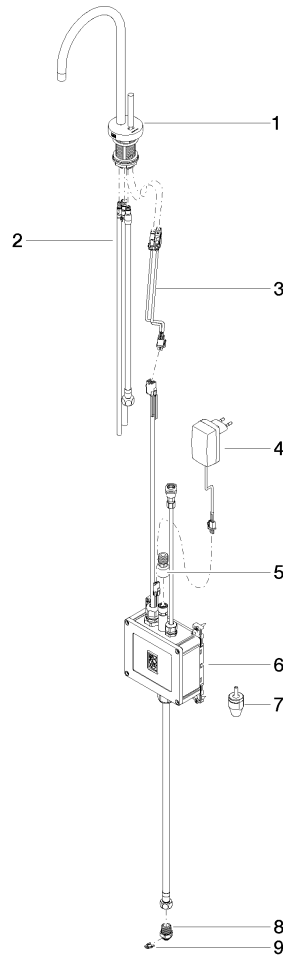
Flow rate chart



Certificates

IAPMO\_N-4976. IAPMO\_4976 (2). GDV\_0400297. LGA\_28297. IAPMO\_6397.

17 861 888



### Spare parts list

| No. | Item Number        | Name                   | Quantity used | Delivery time |
|-----|--------------------|------------------------|---------------|---------------|
| 1   | 90 17 85 100 06-08 | fitting                | 1             | 40            |
| 2   | 90 30 04 067 00 90 | hose                   | 1             | 2             |
| 3   | 90 10 01 048 00 90 | electronic accessories | 1             | 2             |
| 4   | 04 10 01 050 00 90 | power supply           | 1             | 60            |
| 5   | 12 866 970 90      | adaptor                | 1             | 2             |
| 6   | 90 11 11 064 01 90 | electronic accessories | 1             | 2             |
| 7   | 90 24 04 291 00 90 | insert                 | 1             | 2             |
| 8   | 09 24 04 293 90    | nipple                 | 1             | 2             |
| 9   | 09 16 01 045 90    | ring                   | 1             | 2             |