

17 861 888



- 146mm projection
- rigid, thermally insulated spout
- laminar flow
- height of mixer 288 mm
- height up to laminar flow regulator 180 mm
- hole diameter 35 mm
- provides filtered, hot water up to 93°C
- provides filtered, cold water
- max. flow 2 l/min at 3 bar flow pressure
- ready-to-use control unit for wall mounting (137mm x 159mm x 60mm)
- electronic magnetic valve
- 100-230 V, 50-60 Hz, 18 W power supply unit, incl. country-specific adapter set
- lead-free
- Spout ring cannot be removed.
- This product can help a building meet the requirements of Green Building Rating Systems, e.g. LEED®, BREEAM®, DGNB

A minimum flow pressure of 3 bar is necessary for the HOT & COLD WATER DISPENSER to work perfectly in conjunction with a hot water tank and filter.

In addition, the installation must be above a kitchen sink.

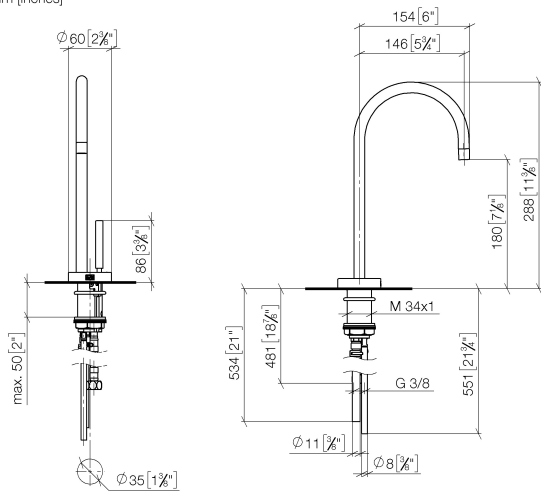
The filter cartridge must be changed every six months. The installation instructions contain further information for guidance.

Detailed planning information and technical data can be found at [www.dornbracht.com/professional](http://www.dornbracht.com/professional)

|   |                               |               |
|---|-------------------------------|---------------|
|    | Brushed Champagne (22kt Gold) | 17 861 888-46 |
|    | Chrome                        | 17 861 888-00 |
|    | Brushed Platinum              | 17 861 888-06 |
|    | Platinum                      | 17 861 888-08 |
|    | Durabross (23kt Gold)         | 17 861 888-09 |
|    | Dark Chrome                   | 17 861 888-19 |
|    | Brushed Durabross (23kt Gold) | 17 861 888-28 |
|    | Matte Black                   | 17 861 888-33 |
|    | Champagne (22kt Gold)         | 17 861 888-47 |
|   | Brushed Chrome                | 17 861 888-93 |
|  | Brushed Dark Platinum         | 17 861 888-99 |

17 861 888

mm [inches]



**Flow rate chart**



**Certificates**

IAPMO\_N-4976.      GDV\_0400297.      IAPMO\_6397.

17 861 888

Parts for other  
finishes can be found  
here: [Chrome](#)

