

**VAIA Two-hole bridge mixer for rinsing/Profi spray - Brushed Durabron (23kt Gold)**

VAIA

19 815 809



- 241mm projection
- pivotable spout 360°
- air-enriched flow
- max. flow 7 l/min at 3 bar flow pressure
- lead-free
- This product can help a building meet the requirements of Green Building Rating Systems, e.g. LEED®, BREEAM®, DGNB

Two-hole mixer for combining with rinsing/Profi spray only

	Brushed Durabron (23kt Gold)	19 815 809-28
	Chrome	19 815 809-00
	Brushed Platinum	19 815 809-06
	Platinum	19 815 809-08
	Durabron (23kt Gold)	19 815 809-09
	Dark Chrome	19 815 809-19
	Matte Black	19 815 809-33
	Brushed Champagne (22kt Gold)	19 815 809-46
	Champagne (22kt Gold)	19 815 809-47
	Brushed Chrome	19 815 809-93
	Brushed Dark Platinum	19 815 809-99

**Recommended miscellaneous**

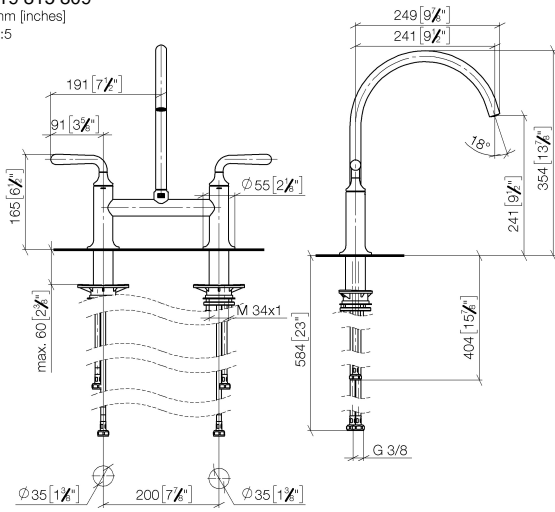
**VAIA Dispenser with rosette - Brushed Durabron (23kt Gold)** 82 434 809-28



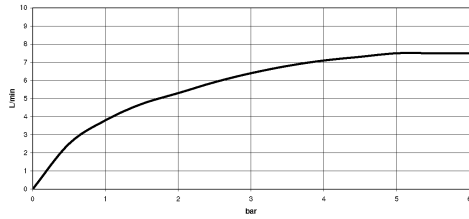
**VAIA Two-hole bridge mixer for rinsing/Profi spray - Brushed Durabronze (23kt Gold)**

VAIA

19 815 809  
mm [inches]  
1:5



**Flow rate chart**



**Codes & Standards**

DIN 4109

ISO 3822

Ü-Zeichen



VAIA Two-hole bridge mixer for rinsing/Profi spray - Brushed Durabronz (23kt Gold)

---

VAIA

19 815 809  
Certificates

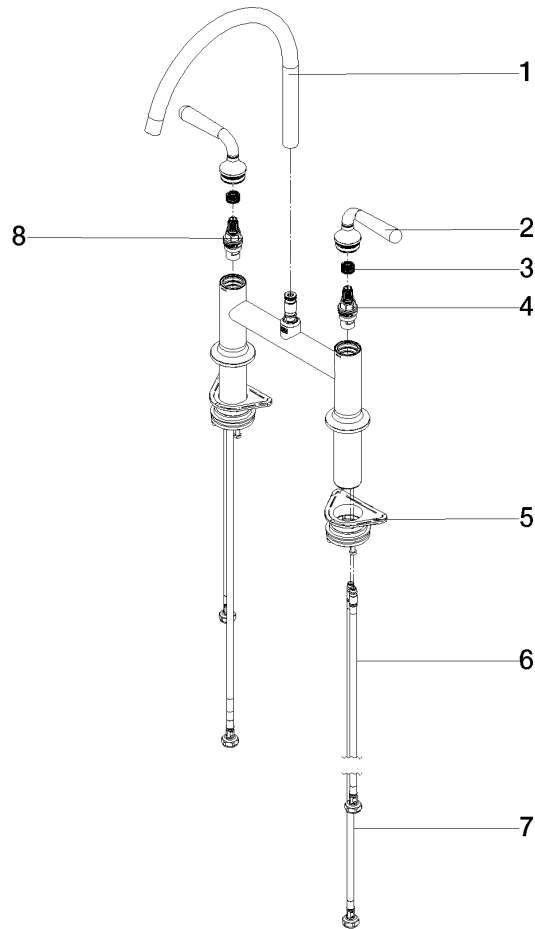
---

LGA\_38

19 815 809

**Product version from 7/1/2023**

Parts for other finishes can be found here: [Chrome](#)





VAIA Two-hole bridge mixer for rinsing/Profi spray - Brushed Durabronze (23kt Gold)

VAIA

19 815 809

### Spare parts list

#### Product version from 7/1/2023

No.	Item Number	Name	Quantity used	Delivery time
	90 28 22 396 00-28	spout	13	20