

VAIA Two-hole bridge mixer for rinsing/Profi spray - Champagne (22kt Gold)

VAIA

19 825 809



- 241mm projection
- pivotable spout 360°
- air-enriched flow
- max. flow 7 l/min at 3 bar flow pressure
- lead-free
- This product can help a building meet the requirements of Green Building Rating Systems, e.g. LEED®, BREEAM®, DGNB

Two-hole mixer for combining with rinsing/Profi spray only

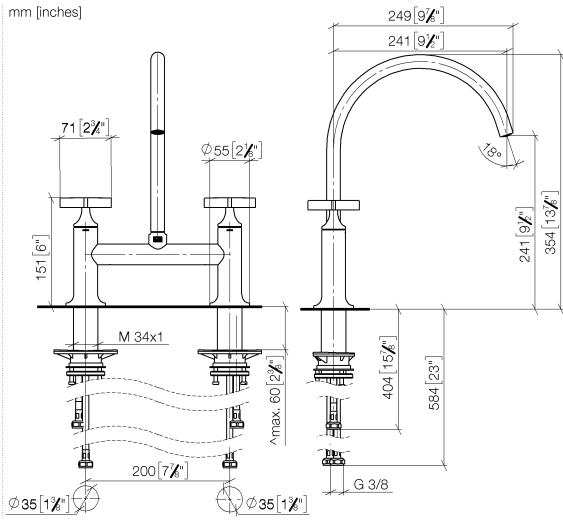
	Champagne (22kt Gold)	19 825 809-47
	Chrome	19 825 809-00
	Brushed Platinum	19 825 809-06
	Platinum	19 825 809-08
	Durabrand (23kt Gold)	19 825 809-09
	Dark Chrome	19 825 809-19
	Brushed Durabrand (23kt Gold)	19 825 809-28
	Matte Black	19 825 809-33
	Brushed Champagne (22kt Gold)	19 825 809-46
	Brushed Chrome	19 825 809-93
	Brushed Dark Platinum	19 825 809-99

Recommended miscellaneous

VAIA Dispenser with rosette - Champagne (22kt Gold) 82 434 809-47



19 825 809



Flow rate chart



Codes & Standards

DIN 4109

ISO 3822

Ü-Zeichen



VAIA Two-hole bridge mixer for rinsing/Profi spray - Champagne (22kt Gold)

VAIA

19 825 809

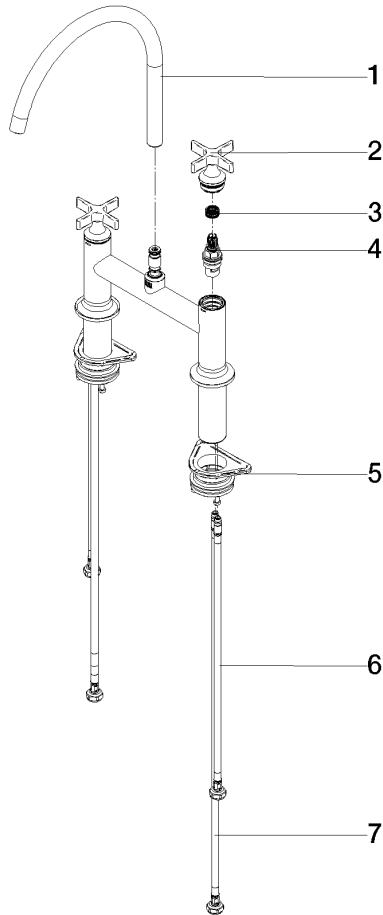
Certificates

LGA_38

19 825 809

Product version from 7/1/2023

Parts for other
finishes can be found
here: [Chrome](#)





VAIA Two-hole bridge mixer for rinsing/Profi spray - Champagne (22kt Gold)

VAIA

19 825 809

Spare parts list

Product version from 7/1/2023

No.	Item Number	Name	Quantity used	Delivery time
	90 28 22 396 00-47	spout	13	30