





## DORNBACHT YARRE Three-hole basin mixer with pop-up waste - Soft Black

---

20 713 832



- 125mm projection
- circular, air-enriched flow
- height of mixer 100 mm
- height up to aerator 85 mm
- hole diameter valve 32 mm
- hole diameter spout 35 mm
- rosette 60 x 60 mm
- 2x screw-in M 8 x 1 pressure hose, leak-tested
- max. flow 6.8 l/min
- WRAS 2310319

	Soft Black	20 713 832-69
	Chrome	20 713 832-00

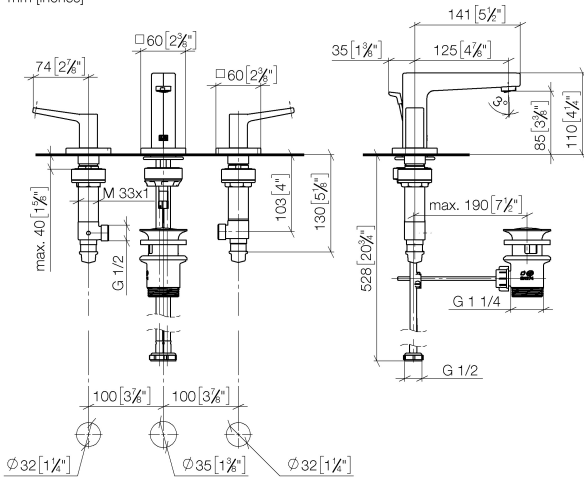
---



# DORNBACHT YARRE Three-hole basin mixer with pop-up waste - Soft Black

20 713 832

mm [inches]



## Flow rate chart



## Codes & Standards

DIN 4109

ISO 3822

Scottish Water  
Byelaws

UK Water Supply  
Regulations

Ü-Zeichen

XP P 41-280



## DORNBACHT YARRE Three-hole basin mixer with pop-up waste - Soft Black

---

20 713 832

### Certificates

---

ACS\_23 ACC NY

WRAS\_2310

AbP\_10

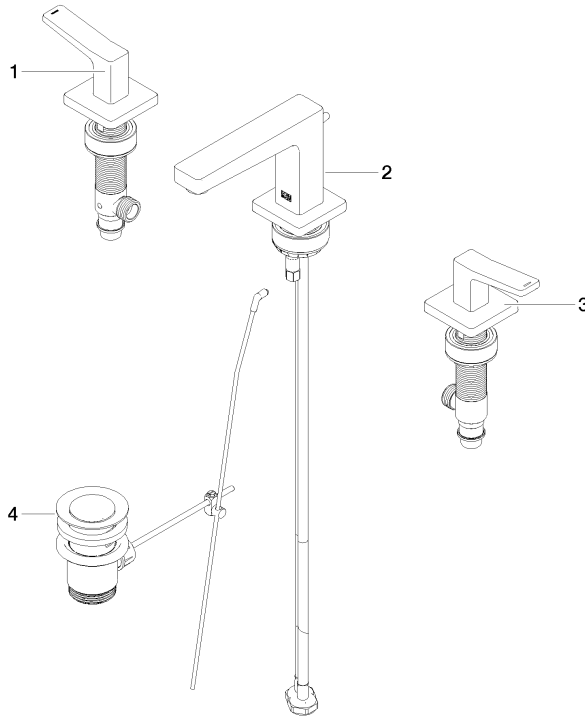


## DORNBACHT YARRE Three-hole basin mixer with pop-up waste - Soft Black

20 713 832

### Product version from 1/1/2023

Parts for other finishes can be found here: [Chrome](#)





## DORNBACHT YARRE Three-hole basin mixer with pop-up waste - Soft Black

---

20 713 832

### Spare parts list

#### Product version from 1/1/2023

No.	Item Number	Name	Quantity used	Delivery time
	90 20 83 069 00-69	handle ( hot )	4	60