








20 713 845

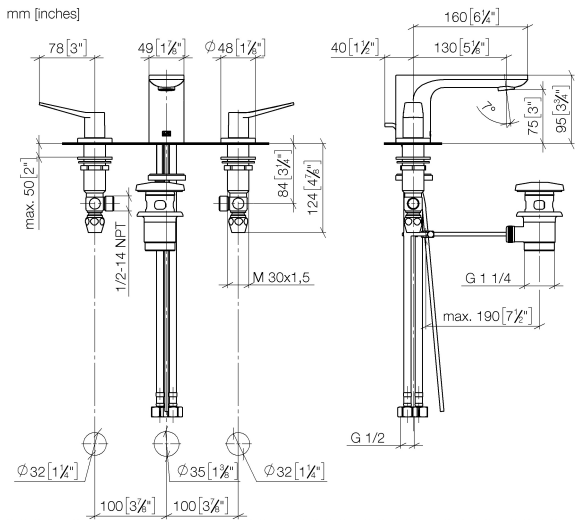


- 130mm projection
- fixed spout
- circular, air-enriched flow
- height of mixer 95 mm
- height up to aerator 75 mm
- hole diameter valve 32 mm
- hole diameter spout 35 mm
- rosette Ø 48 mm
- max. flow 5.7 l/min
- lead-free
- WRAS 2210005
- This product can help a building meet the requirements of Green Building Rating Systems, e.g. LEED®, BREEAM®, DGNB

Only suitable for basins with an overflow.

	Brushed Chrome	20 713 845-93
	Chrome	20 713 845-00
	Brushed Platinum	20 713 845-06
	Dark Chrome	20 713 845-19
	Brushed Light Gold	20 713 845-27
	Matte Black	20 713 845-33
	Brushed Dark Platinum	20 713 845-99

20 713 845



**Flow rate chart**



**Codes & Standards**

DIN 4109

ISO 3822

Scottish Water  
Byelaws

UK Water Supply  
Regulations

**Ü-Zeichen**



## LISSÉ Three-hole basin mixer with pop-up waste - Brushed Chrome

---

LISSÉ

20 713 845

### Certificates

---

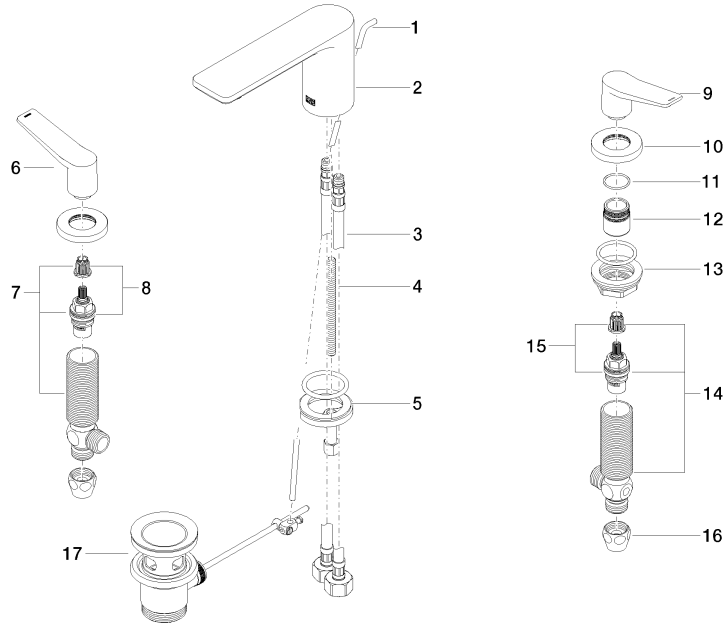
LGA\_29

WRAS\_2210

20 713 845

**Product version from 3/9/2016**

Parts for other finishes can be found here: [Chrome](#)





# LISSÉ Three-hole basin mixer with pop-up waste - Brushed Chrome

LISSÉ

20 713 845

## Spare parts list

### Product version from 3/9/2016

No.	Item Number	Name	Quantity used	Delivery time
	09 31 09 120-93	pull-rod	23	20