

TARA Three-hole mixer - Durabronss (23kt Gold)

TARA

20 815 892



- 235mm projection
- pivotable spout 360°
- air-enriched flow
- height of mixer 370 mm
- height up to aerator 212 mm
- hole diameter spout 35 mm
- hole diameter valve 32 mm
- max. flow 7 l/min at 3 bar flow pressure
- lead-free
- This product can help a building meet the requirements of Green Building Rating Systems, e.g. LEED®, BREEAM®, DGNB
- WRAS 2107052

	Durabronss (23kt Gold)	20 815 892-09
	Chrome	20 815 892-00
	Brushed Platinum	20 815 892-06
	Platinum	20 815 892-08
	Dark Chrome	20 815 892-19
	Brushed Durabronss (23kt Gold)	20 815 892-28
	Matte Black	20 815 892-33
	Brushed Champagne (22kt Gold)	20 815 892-46
	Champagne (22kt Gold)	20 815 892-47
	Brushed Chrome	20 815 892-93
	Brushed Dark Platinum	20 815 892-99

Recommended miscellaneous

Strainer waste with control handle - Durabronss (23kt Gold) 10 710 970-09

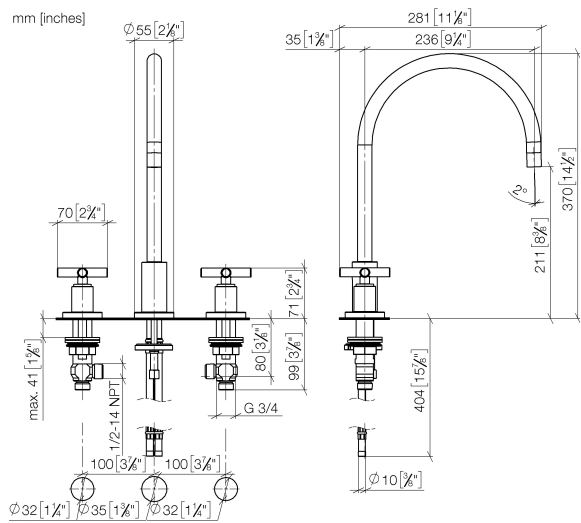


Recommended miscellaneous

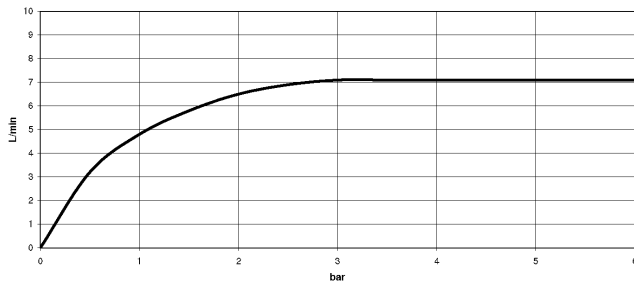
Dispenser with rosette - Durabronss (23kt Gold) 82 444 970-09



20 815 892



Flow rate chart



Codes & Standards

Executive Order
no. 1007



TARA Three-hole mixer - Durabronss (23kt Gold)

TARA

20 815 892

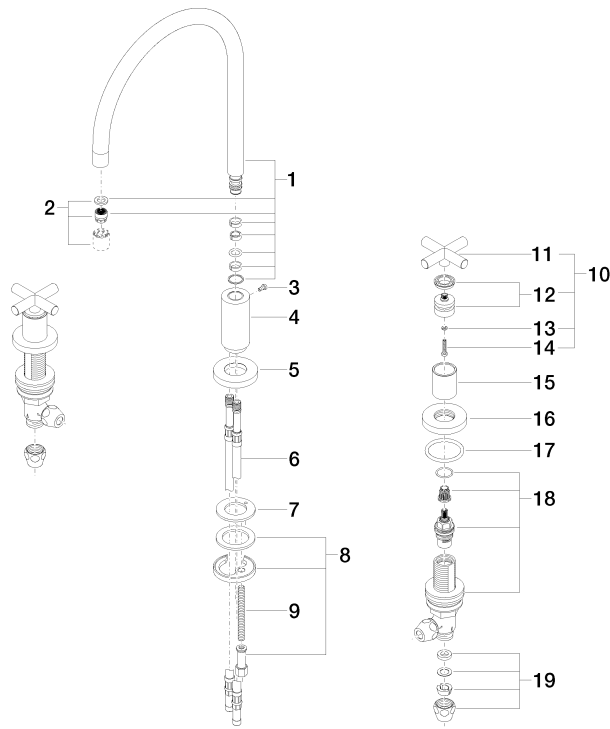
Certificates

GDV_0400

20 815 892

Product version from 6/30/2009

Parts for other finishes can be found here: Chrome





20 815 892

Spare parts list

Product version from 6/30/2009