

22 513 809

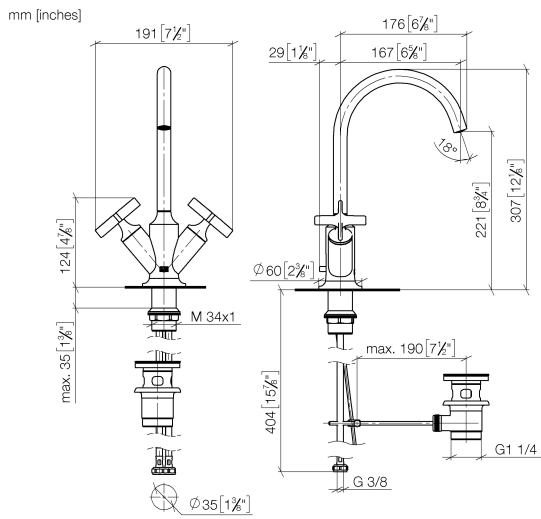


- 167mm projection
- pivotable spout 360°
- circular, air-enriched flow
- height of mixer 307 mm
- height up to aerator 221 mm
- hole diameter 35 mm
- rosette Ø 60 mm
- 2x screw-in M 10 x 1 pressure hose, leak-tested
- max. flow 5.7 l/min
- lead-free
- This product can help a building meet the requirements of Green Building Rating Systems, e.g. LEED®, BREEAM®, DGNB
- WRAS 240102002

Only suitable for basins with an overflow.

| | | |
|---|--------------------------------|---------------|
|  | Chrome | 22 513 809-00 |
|  | Brushed Platinum | 22 513 809-06 |
|  | Platinum | 22 513 809-08 |
|  | Dark Chrome | 22 513 809-19 |
|  | Brushed Durabronze (23kt Gold) | 22 513 809-28 |
|  | Brushed Bronze | 22 513 809-42 |
|  | Brushed Champagne (22kt Gold) | 22 513 809-46 |
|  | Champagne (22kt Gold) | 22 513 809-47 |
|  | Brushed Dark Platinum | 22 513 809-99 |

22 513 809



Flow rate chart



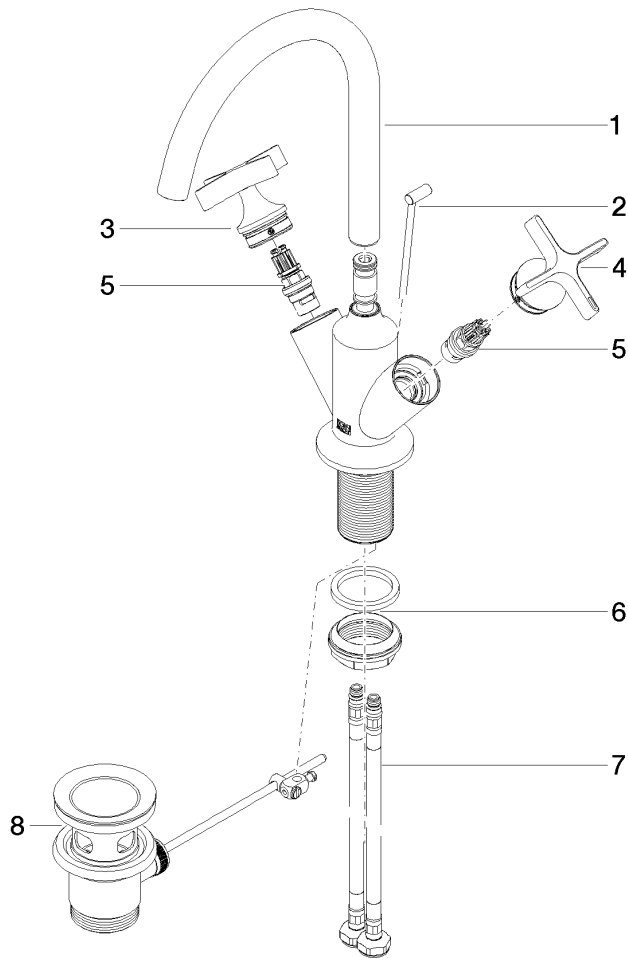
Certificates

LGA_18920.

WRAS_240102002.

22 513 809

Parts for other finishes can be found here: [Brushed](#)
[Platinum](#)



Spare parts list

| No. | Item Number | Name | Quantity used | Delivery time |
|-----|--------------------|-----------------|---------------|---------------|
| 1 | 90 28 22 320 00-00 | spout | 1 | 10 |
| 2 | 04 20 89 035 80-00 | pull-rod | 1 | 10 |
| 3 | 90 20 66 029 01-00 | handle (hot) | 1 | 10 |
| 4 | 90 20 66 028 00-00 | handle (cold) | 1 | 10 |
| 5 | 90 90 03 175 00 90 | top | 2 | 2 |
| 6 | 04 23 10 044 07 90 | fixing set | 1 | 2 |
| 7 | 04 30 04 100 00 90 | hose | 2 | 2 |
| 8 | 90 11 01 001 00-00 | pop-up waste | 1 | 10 |