






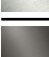
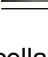
**IMO Single-hole basin mixer with stand pipe without pop-up waste - Brushed Light Gold**

IMO

22 585 671



- 195mm projection
- fixed spout
- rectangular, air-enriched flow
- total height 1038 - 1103 mm
- height up to aerator 970 – 1040 mm
- rosette Ø 135 mm
- max. flow 4.6 l/min
- lead-free
- This product can help a building meet the requirements of Green Building Rating Systems, e.g. LEED®, BREEAM®, DGNB

	Brushed Light Gold	22 585 671-27
	Chrome	22 585 671-00
	Brushed Platinum	22 585 671-06
	Dark Chrome	22 585 671-19
	Matte Black	22 585 671-33
	Brushed Chrome	22 585 671-93
	Brushed Dark Platinum	22 585 671-99

**Required miscellaneous**



- Concealed floor mounting -**
- min. recess depth 80 mm
  - max. recess depth 150 mm

35 945 970 90

**Required miscellaneous**



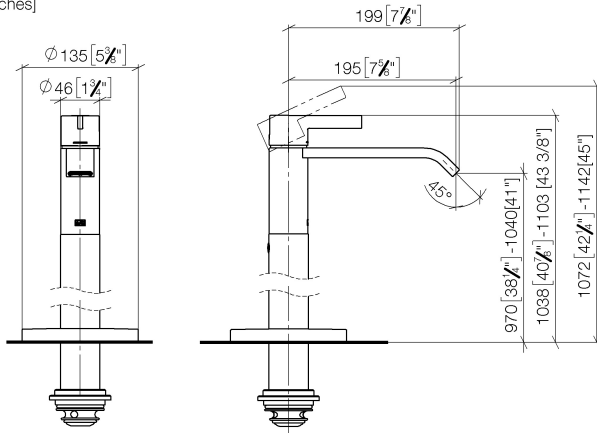
- Concealed floor mounting -**
- min. recess depth 80 mm
  - max. recess depth 150 mm

35 945 970 90

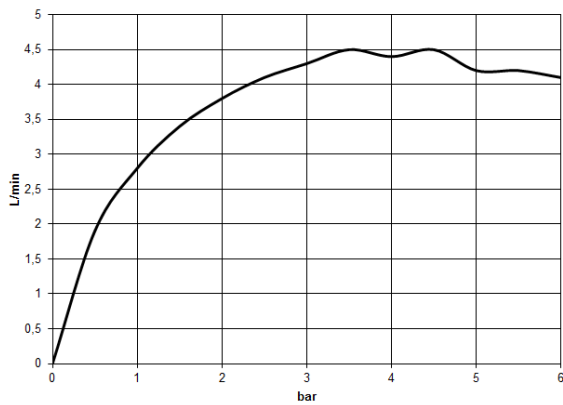
**IMO Single-hole basin mixer with stand pipe without pop-up waste - Brushed  
Light Gold**

IMO

22 585 671  
mm [inches]



**Flow rate chart**



**Codes & Standards**

DIN 4109

ISO 3822

Ü-Zeichen



IMO Single-hole basin mixer with stand pipe without pop-up waste - Brushed  
Light Gold

---

IMO

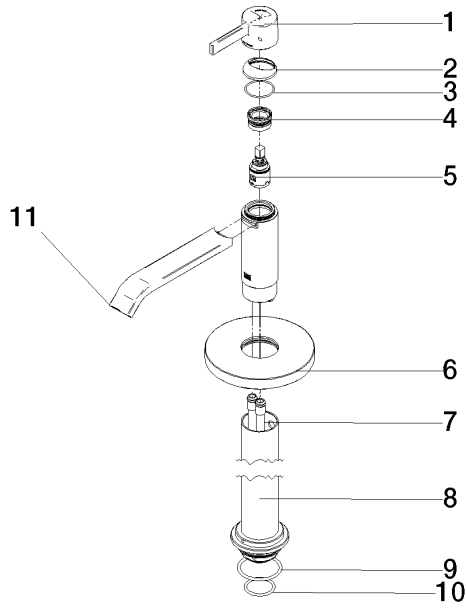
22 585 671  
Certificates

---

LGA\_38

22 585 671

Product version from 4/1/2024





IMO Single-hole basin mixer with stand pipe without pop-up waste - Brushed  
Light Gold

IMO

22 585 671

### Spare parts list

#### Product version from 4/1/2024

No.	Item Number	Name	Quantity used	Delivery time
	90 20 67 019 00-27	handle	12	30