

VAIA Single-hole basin mixer with stand pipe without pop-up waste - Brushed Bronze

VAIA

22 585 809



- 202mm projection
- pivotable spout 360°
- circular, air-enriched flow
- total height 1251 - 1321 mm
- height up to aerator 1152 – 1222 mm
- rosette Ø 135 mm
- max. flow 5.7 l/min
- lead-free
- This product can help a building meet the requirements of Green Building Rating Systems, e.g. LEED®, BREEAM®, DGNB
- WRAS 240102001

	Brushed Bronze	22 585 809-42
	Chrome	22 585 809-00
	Brushed Platinum	22 585 809-06
	Platinum	22 585 809-08
	Dark Chrome	22 585 809-19
	Brushed Durabronze (23kt Gold)	22 585 809-28
	Brushed Champagne (22kt Gold)	22 585 809-46
	Champagne (22kt Gold)	22 585 809-47
	Brushed Dark Platinum	22 585 809-99

Recommended miscellaneous



- Concealed floor mounting -**
- min. recess depth 80 mm
 - max. recess depth 150 mm

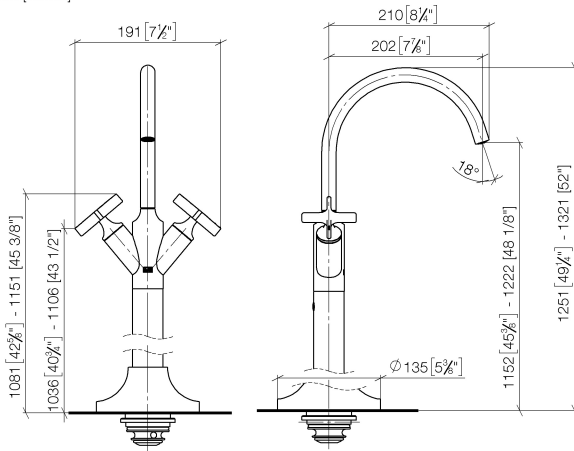
35 945 970 90



VAIA Single-hole basin mixer with stand pipe without pop-up waste - Brushed Bronze

VAIA

22 585 809
mm [inches]



Flow rate chart



Codes & Standards

DIN 4109

ISO 3822

Scottish Water
Byelaws

UK Water Supply
Regulations

Ü-Zeichen



VAIA Single-hole basin mixer with stand pipe without pop-up waste - Brushed
Bronze

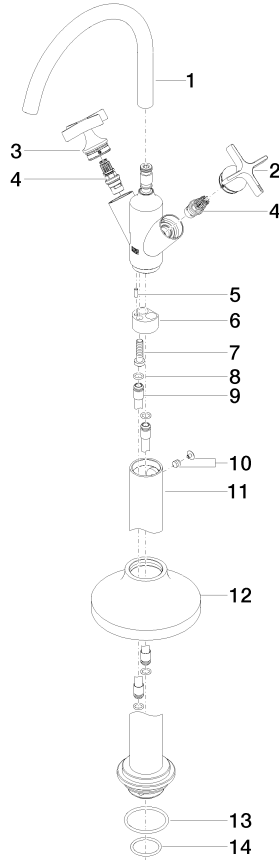
VAIA

22 585 809
Certificates

LGA_38

WRAS_240102

22 585 809





VAIA Single-hole basin mixer with stand pipe without pop-up waste - Brushed
Bronze

VAIA

22 585 809

Spare parts list

No.	Item Number	Name	Quantity used	Delivery time
	90 28 22 313 00-42	spout	19	30