

**TARA Single-hole basin mixer with stand pipe without pop-up waste - Brushed Durabronze (23kt Gold)**

TARA

22 585 892



- 201mm projection
- pivotable spout 360°
- circular, air-enriched flow
- total height 1095 - 1166 mm
- height up to aerator 1025 – 1095 mm
- rosette Ø 135 mm
- max. flow 5.7 l/min
- lead-free
- This product can help a building meet the requirements of Green Building Rating Systems, e.g. LEED®, BREEAM®, DGNB
- WRAS 2304008

	Brushed Durabronze (23kt Gold)	22 585 892-28
	Chrome	22 585 892-00
	Brushed Platinum	22 585 892-06
	Platinum	22 585 892-08
	Dark Chrome	22 585 892-19
	Matte Black	22 585 892-33
	Brushed Bronze	22 585 892-42
	Brushed Champagne (22kt Gold)	22 585 892-46
	Champagne (22kt Gold)	22 585 892-47
	Brushed Chrome	22 585 892-93
	Brushed Dark Platinum	22 585 892-99

**Required miscellaneous**



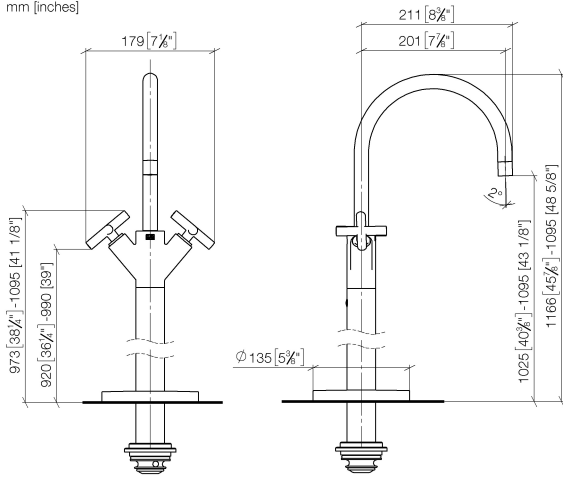
- Concealed floor mounting -**
- max. recess depth 150 mm
  - min. recess depth 80 mm

35 945 970 90

**TARA Single-hole basin mixer with stand pipe without pop-up waste - Brushed Durabronz (23kt Gold)**

TARA

22 585 892  
mm [inches]



**Flow rate chart**



**Codes & Standards**

DIN 4109

ISO 3822

Scottish Water  
Byelaws

UK Water Supply  
Regulations

**Ü-Zeichen**



TARA Single-hole basin mixer with stand pipe without pop-up waste - Brushed  
Durabross (23kt Gold)

---

TARA

22 585 892

Certificates

---

LGA\_38

WRAS\_2304

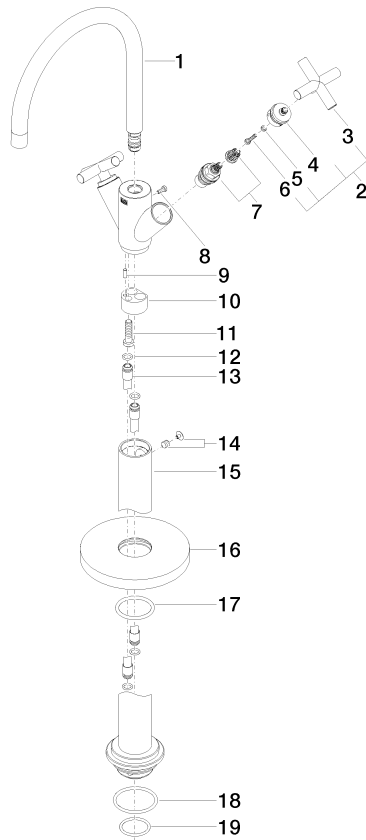


TARA Single-hole basin mixer with stand pipe without pop-up waste - Brushed Durabronz (23kt Gold)

TARA

22 585 892

Product version from 4/1/2024





TARA Single-hole basin mixer with stand pipe without pop-up waste - Brushed  
Durabross (23kt Gold)

TARA

22 585 892

### Spare parts list

#### Product version from 4/1/2024

No.	Item Number	Name	Quantity used	Delivery time
	90 28 22 214 02-28	spout	29	20