

TARA Bath mixer for wall mounting with hand shower set - Dark Chrome

25 133 882



- spout: circular, air-enriched flow
- max. flow 22 l/min at 3 bar flow pressure
- Hand shower: COMPACT RAIN, max. flow rate 6.8 l/min (at 3 bar)
- complete hand shower set with anti-scale system
- 240mm projection
- rotary diverter for bath/shower
- slide-on rosettes Ø 65 mm
- rosette for shower holder Ø 50mm
- 1/2" connection
- gauge 150 mm - 15 mm
- metal shower hose 1250mm with integrated anti-twist protection
- WRAS

Intrinsic protection against back flow.

Stand pipes combination possible on request (special production).

Intrinsic protection against back flow.

Stand pipes combination possible on request (special production).

	Dark Chrome	25 133 882-19
	Chrome	25 133 882-00
	Brushed Platinum	25 133 882-06
	Platinum	25 133 882-08
	Brushed Durabronze (23kt Gold)	25 133 882-28
	Matte Black	25 133 882-33
	Brushed Champagne (22kt Gold)	25 133 882-46
	Champagne (22kt Gold)	25 133 882-47
	Brushed Chrome	25 133 882-93
	Brushed Dark Platinum	25 133 882-99

Required miscellaneous



Single holder for 15 mm PEX pipes - 29 022 970 90
 •for 15 mm PEX pipes

Required miscellaneous



Single holder for 16 mm AluPEX pipes - 29 021 970 90
 •for 16 mm AluPEX pipes

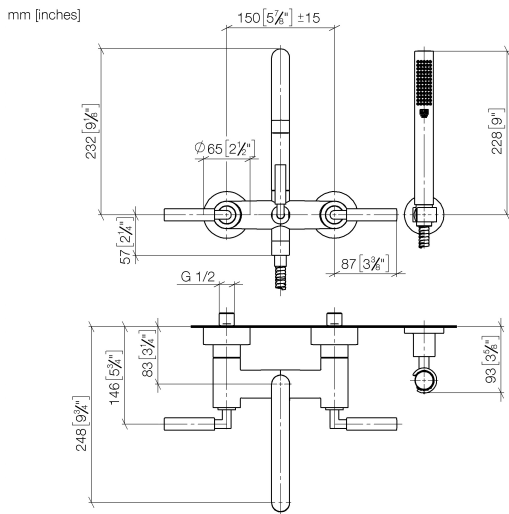
Required miscellaneous



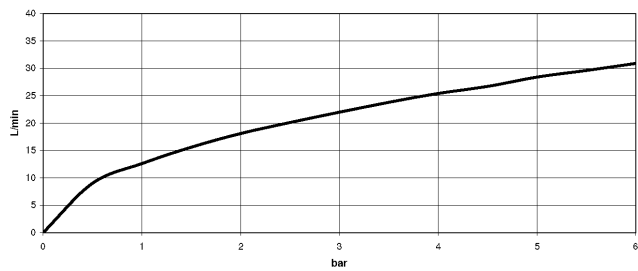
Single holder for 12 mm and 15 mm copper pipes - 29 020 970 90
 •for 12 mm and 15 mm copper pipes

TARA Bath mixer for wall mounting with hand shower set - Dark Chrome

25 133 882



Flow rate chart



Codes & Standards

DIN 4109

ISO 3822

Scottish Water
Byelaws

UK Water Supply
Regulations

Ü-Zeichen



TARA Bath mixer for wall mounting with hand shower set - Dark Chrome

25 133 882

Certificates

WRAS_2210

LGA_18

TARA Bath mixer for wall mounting with hand shower set - Dark Chrome

25 133 882

