


26 413 360




- slide bar
- Pipe diameter 18 mm
- rosette Ø 60 mm
- gauge 850 mm
- metal shower hose 1750mm with integrated anti-twist protection
- shower hose connector 1/2"
- WRAS 2009048

This article does not include a hand shower!

Recommended miscellaneous

	<b>Concealed wall elbow -</b> ● max. recess depth 163 mm ● min. recess depth 90 mm	35 085 970 90
---	--	---------------

Recommended miscellaneous

	<b>MADISON Wall elbow - Brushed Dark Platinum</b>	28 450 410-99
---	---	---------------

Required miscellaneous

	<b>MADISON Metal hand shower with porcelain insert (white) FlowReduce - Brushed Dark Platinum</b>	28 002 970-99 0010
---	---	--------------------

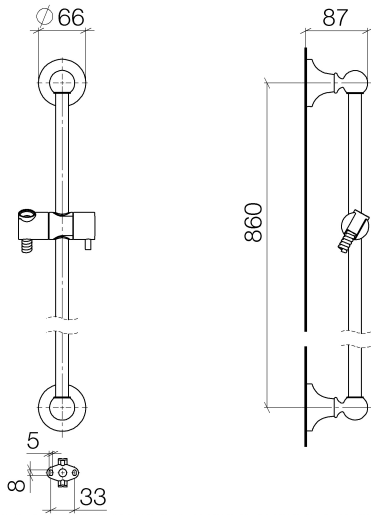
Required miscellaneous

	<b>MADISON Hand shower - Brushed Dark Platinum</b> ● spray head Ø 95mm ● Hand shower see page {PAGE} ● Three settings: COMPACT RAIN, COMPACT SOFT FLOW, COMPACT AQUAPRESSURE FLOW, max. flow rate l/min (at 3 bar)	28 002 978-99
---	---	---------------

Required miscellaneous

	<b>MADISON Hand shower FlowReduce - Brushed Dark Platinum</b> ● spray head Ø 95mm ● Hand shower see page {PAGE} ● Three settings: COMPACT RAIN, COMPACT SOFT FLOW, COMPACT AQUAPRESSURE FLOW, max. flow rate l/min (at 3 bar)	28 002 978-99 0010
---	--	--------------------

26 413 360



Codes & Standards

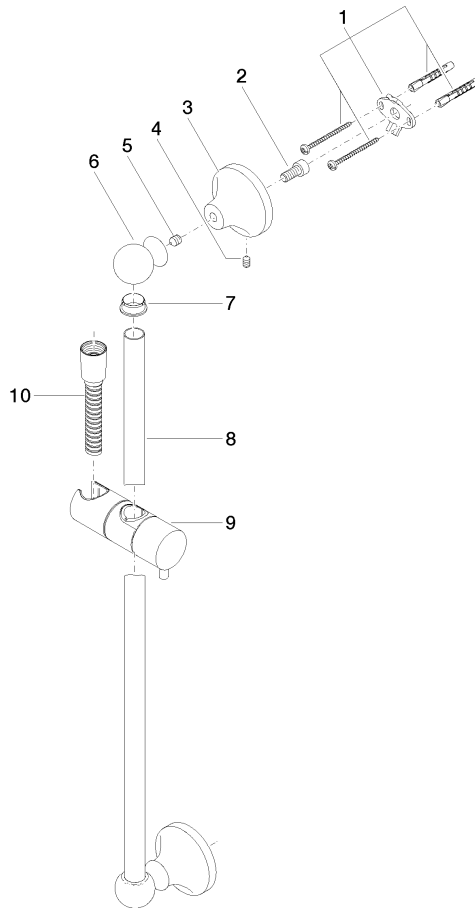
Scottish Water  
Byelaws

UK Water Supply  
Regulations

Certificates

WRAS\_2009

26 413 360





# MADISON Shower set without hand shower - Brushed Dark Platinum

MADISON

26 413 360

## Spare parts list

No.	Item Number	Name	Quantity used	Delivery time
	90 17 20 708 00 90	fixing set	17	2