

## Shower set without hand shower - Matte Black

IMO

26 413 979



Fits: IMO, LULU, MEM, TARA, CL.1, LISSÉ,  
VAIA, META, CYO

- slide bar
- Pipe diameter 18 mm
- gauge 853 mm
- metal shower hose 1750mm with integrated anti-twist protection
- shower hose connector 3/8"
- WRAS 2009048


This article does not include a hand shower!

	Matte Black	26 413 979-33
	Chrome	26 413 979-00
	Brushed Platinum	26 413 979-06
	Platinum	26 413 979-08
	Dark Chrome	26 413 979-19
	Light Gold	26 413 979-26
	Brushed Light Gold	26 413 979-27
	Brushed Durabronze (23kt Gold)	26 413 979-28
	Brushed Bronze	26 413 979-42
	Brushed Champagne (22kt Gold)	26 413 979-46
	Champagne (22kt Gold)	26 413 979-47
	Brushed Chrome	26 413 979-93
	Brushed Dark Platinum	26 413 979-99

**Shower set without hand shower - Matte Black**

26 413 979


**Recommended miscellaneous**

	<b>Concealed wall elbow -</b> •max. recess depth 163 mm •min. recess depth 90 mm	35 085 970 90
---	--	---------------

**Recommended miscellaneous**

	<b>Wall elbow - Matte Black</b>	28 450 980-33
---	---------------------------------	---------------

**Required miscellaneous**

	<b>Hand shower FlowReduce - Matte Black</b>	28 012 979-33 0010
---	---	-----------------------

**Required miscellaneous**

	<b>Hand shower - Matte Black</b>	28 017 979-33
---	----------------------------------	---------------


**Required miscellaneous**

	<b>Hand shower - Matte Black</b>	28 016 979-33
---	----------------------------------	---------------

**Required miscellaneous**

	<b>Hand shower - Matte Black</b>	28 012 979-33
---	----------------------------------	---------------


**Required miscellaneous**

	<b>Hand shower FlowReduce - Matte Black</b>	28 016 979-33 0010
---	---	-----------------------


**Required miscellaneous**

	<b>Hand shower - Matte Black</b>	28 018 979-33
---	----------------------------------	---------------

**Required miscellaneous**

	<b>Hand shower FlowReduce - Matte Black</b>	28 018 979-33 0010
---	---	-----------------------

**Required miscellaneous**

	<b>SERIES-VARIOUS Hand shower - Matte Black</b>	28 029 979-33 0010
---	---	-----------------------

**Required miscellaneous**

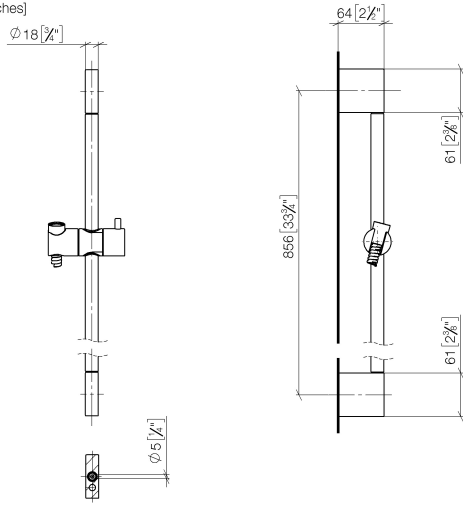
	<b>SERIES-VARIOUS Hand shower - Matte Black</b>	28 029 979-33
---	---	---------------

**Required miscellaneous**

	<b>SERIES-VARIOUS Hand shower - Matte Black</b>	28 025 979-33 0010
---	---	-----------------------

26 413 979

mm [inches]



Codes & Standards

ASME A112.18.1

cUPC

Scottish Water  
Byelaws

UK Water Supply  
Regulations

XP P 41-280

Certificates

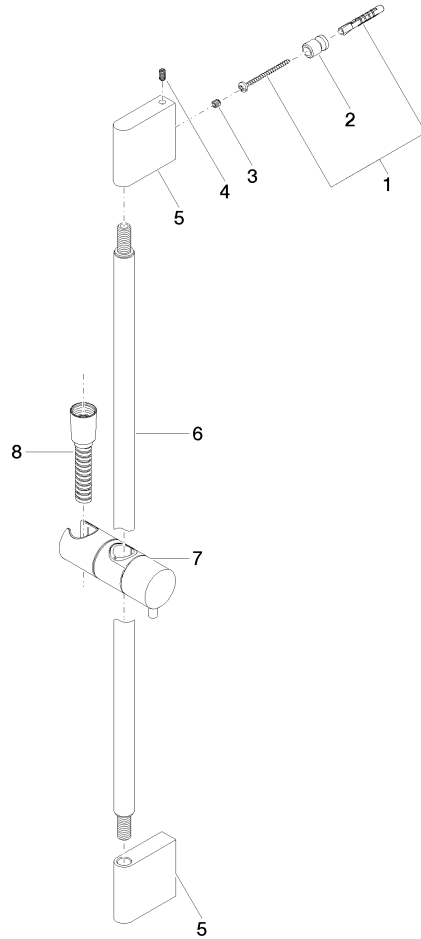
IAPMO\_4976

WRAS\_2009

ACS\_20 ACC LY

26 413 979

Product version from 10/1/2023





## Shower set without hand shower - Matte Black

IMO

26 413 979

### Spare parts list

#### Product version from 10/1/2023

No.	Item Number	Name	Quantity used	Delivery time
	05 17 20 726 02 90	fixing set	13	2