

VAIA Five-hole bath mixer for deck mounting with diverter - Dark Chrome

27 522 819



- spout: circular, air-enriched flow
- max. flow 21.5 l/min at 3 bar flow pressure
- Hand shower: COMPACT RAIN, max. flow rate 6.8 l/min (at 3 bar)
- complete hand shower set with anti-scale system
- automatic bath/shower diverter
- 220mm projection
- height of mixer 347 mm
- height up to aerator 244 mm
- hole diameter spout 32 mm
- hole diameter valve 32 mm
- hole diameter for complete hand shower set 32 mm
- rosette for spout Ø 60mm
- rosette for complete hand shower set Ø 60mm
- rosette for deck valve Ø 60mm
- metal shower hose 1750mm with integrated anti-twist protection
- WRAS

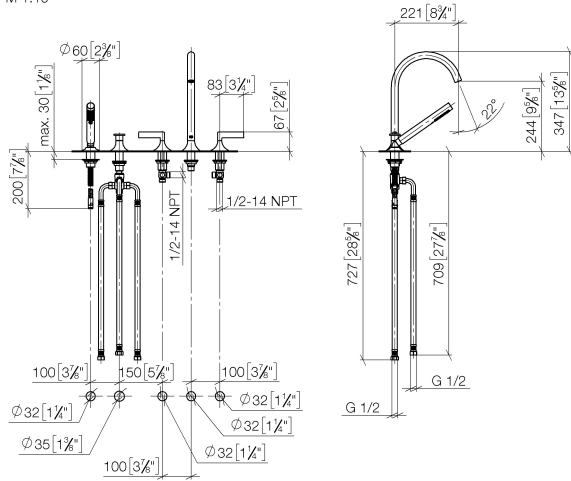
Intrinsic protection against back flow.

	Dark Chrome	27 522 819-19
	Chrome	27 522 819-00
	Brushed Platinum	27 522 819-06
	Platinum	27 522 819-08
	Brushed Durabronze (23kt Gold)	27 522 819-28
	Brushed Bronze	27 522 819-42
	Brushed Champagne (22kt Gold)	27 522 819-46
	Champagne (22kt Gold)	27 522 819-47
	Brushed Dark Platinum	27 522 819-99

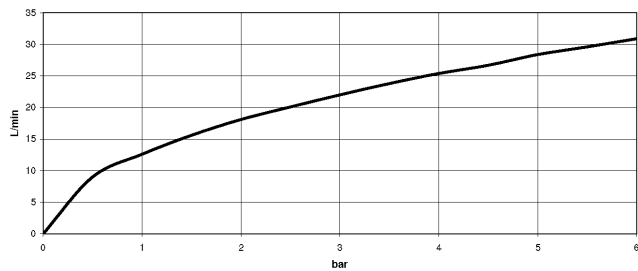
VAIA Five-hole bath mixer for deck mounting with diverter - Dark Chrome

27 522 819

mm [inches]
M 1:10



Flow rate chart



Codes & Standards

ASME A112.18.1 cUPC DIN 4109 EN 1717

Executive Order ISO 3822 Ü-Zeichen
no. 1007



VAIA Five-hole bath mixer for deck mounting with diverter - Dark Chrome

27 522 819

Certificates

IAPMO_4976

Belgaqua_22_278_2 WRAS_2310

LGA_29

VAIA Five-hole bath mixer for deck mounting with diverter - Dark Chrome

27 522 819

Parts for other
finishes can be found
here: [Chrome](#)

