

27 718 809



- with round rosette
- spray flow
- automatic spout/shower diverter
- height of mixer 171 mm
- hole diameter rinsing spray 32mm
- fabric braided hose 1500 mm
- sprayface with anti-scaling system
- lead-free
- This product can help a building meet the requirements of Green Building Rating Systems, e.g. LEED®, BREEAM®, DGNB

Can only be combined with 33810809, 33826809, 19815809, 19825809.

Intrinsic protection against back flow.

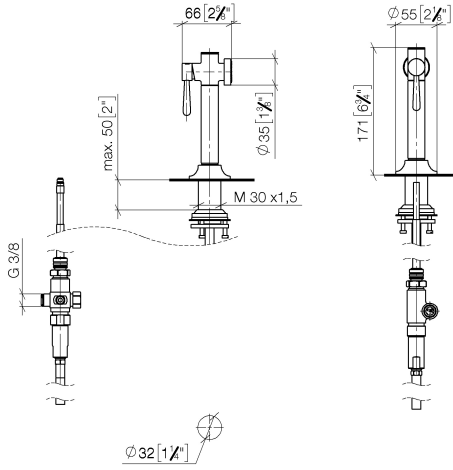
Residual water may emerge from the spray after closing.

Operating unit can be positioned freely.

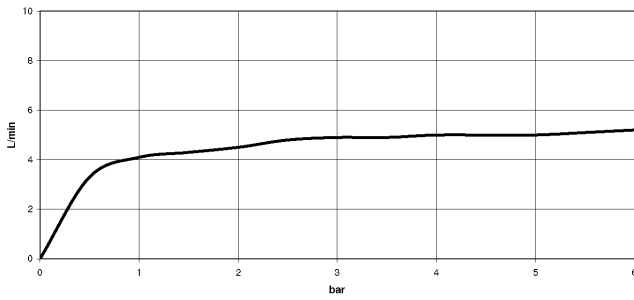
| | | |
|--|--------------------------------|---------------|
|  | Matte Black | 27 718 809-33 |
|  | Chrome | 27 718 809-00 |
|  | Brushed Platinum | 27 718 809-06 |
|  | Platinum | 27 718 809-08 |
|  | Durabronze (23kt Gold) | 27 718 809-09 |
|  | Dark Chrome | 27 718 809-19 |
|  | Brushed Durabronze (23kt Gold) | 27 718 809-28 |
|  | Brushed Champagne (22kt Gold) | 27 718 809-46 |
|  | Champagne (22kt Gold) | 27 718 809-47 |
|  | Brushed Chrome | 27 718 809-93 |
|  | Brushed Dark Platinum | 27 718 809-99 |

27 718 809

mm [inches]



Flow rate chart



Codes & Standards

DIN 4109

ISO 3822

Ü-Zeichen



VAIA Rinsing spray set - Matte Black

VAIA

27 718 809

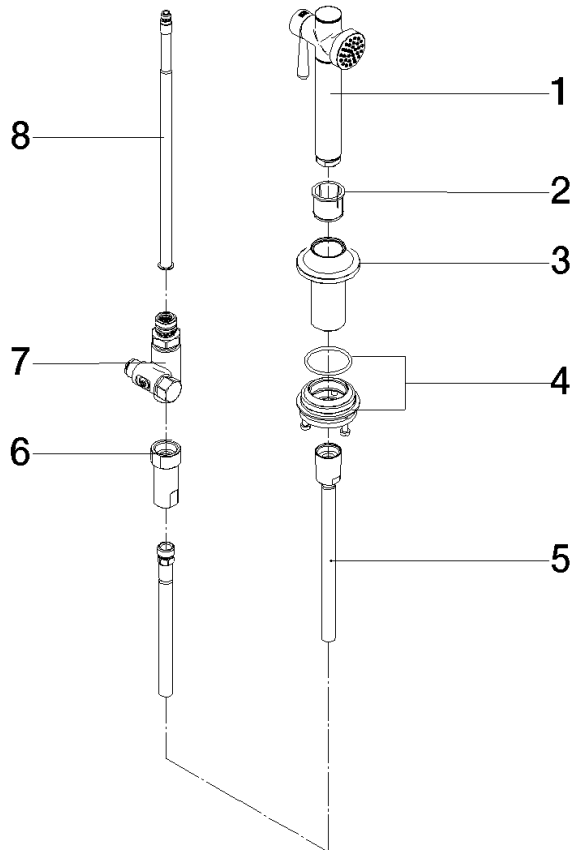
Certificates

LGA_38

27 718 809

Product version from 7/1/2023

Parts for other finishes can be found here: [Chrome](#)





VAIA Rinsing spray set - Matte Black

VAIA

27 718 809

Spare parts list

Product version from 7/1/2023

| No. | Item Number | Name | Quantity used | Delivery time |
|-----|--------------------|--------|---------------|---------------|
| | 90 12 11 096 12-33 | shower | 8 | 30 |