

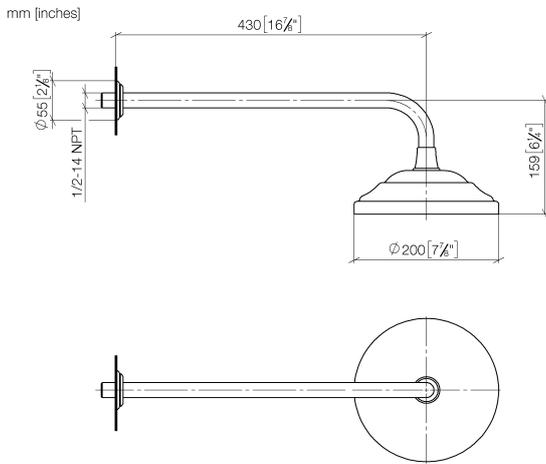
28 544 977



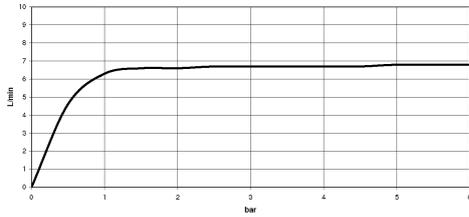
- 435mm projection
- rain shower Ø 200 mm
- rain flow
- max. flow 7 l/min
- Function from: 6.5 l/min
- rosette Ø 55 mm
- 1/2" connection
- with anti-scale system
- This product can help a building meet the requirements of Green Building Rating Systems, e.g. LEED®, BREEAM®, DGNB

	Platinum	28 544 977-08
	Chrome	28 544 977-00
	Brushed Platinum	28 544 977-06
	Durabress (23kt Gold)	28 544 977-09
	Brushed Durabress (23kt Gold)	28 544 977-28
	Brushed Dark Platinum	28 544 977-99

28 544 977



**Flow rate chart**



**Codes & Standards**

DIN 4109

ISO 3822

Ü-Zeichen



MADISON Rain shower with wall fixing FlowReduce 200 mm - Platinum

---

MADISON

28 544 977

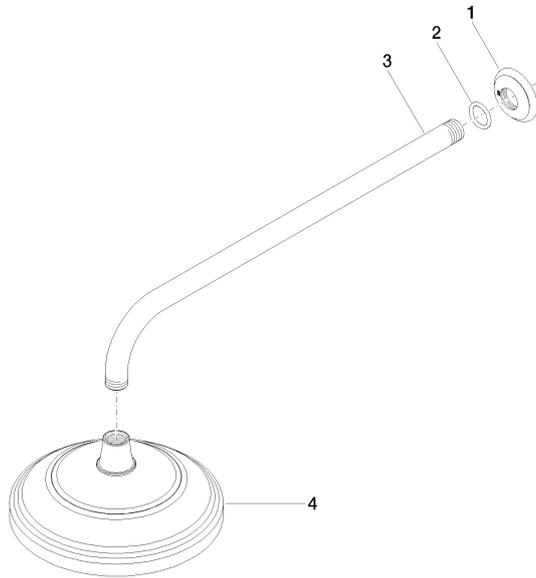
Certificates

---

LGA\_38

28 544 977

Parts for other  
finishes can be found  
here: [Chrome](#)





MADISON Rain shower with wall fixing FlowReduce 200 mm - Platinum

MADISON

28 544 977

**Spare parts list**

No.	Item Number	Name	Quantity used	Delivery time
	09 27 35 003-08	rosette	4	40