

## Rain shower with wall fixing 220 mm - Brushed Light Gold

28 649 670 Product version from 3/13/2017



- 450mm projection
- rain shower Ø 220 mm
- PURE RAIN, max. flow rate 14 l/min (at 3 bar)
- Function from: 7 l/min
- rosette 65 x 65 mm
- 1/2" connection
- with anti-scale system
- quick clearing
- WRAS

	Brushed Light Gold	28 649 670-27
	Chrome	28 649 670-00
	Brushed Platinum	28 649 670-06
	Platinum	28 649 670-08
	Dark Chrome	28 649 670-19
	Brushed Durabronze (23kt Gold)	28 649 670-28
	Matte Black	28 649 670-33
	Brushed Champagne (22kt Gold)	28 649 670-46
	Champagne (22kt Gold)	28 649 670-47
	Brushed Chrome	28 649 670-93
	Brushed Dark Platinum	28 649 670-99

### Recommended miscellaneous



**Concealed wall elbow -**

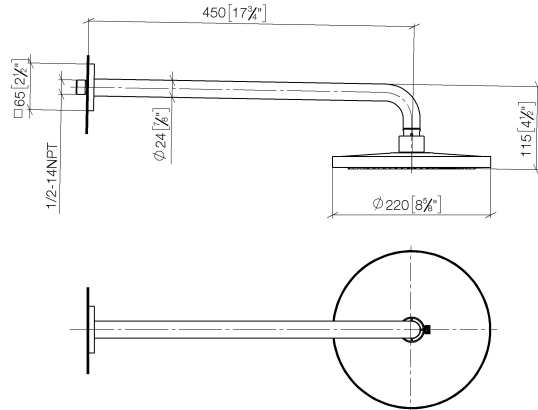
35 085 970 90

- min. recess depth mm
- max. recess depth mm

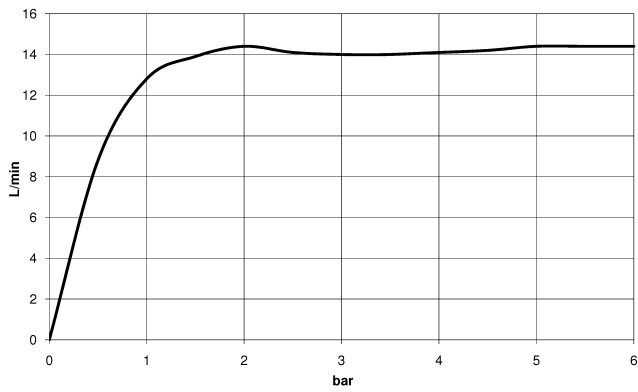
**Rain shower with wall fixing 220 mm - Brushed Light Gold**

28 649 670 Product version from 3/13/2017

mm [inches]



**Flow rate chart**



**Codes & Standards**

DIN 4109

ISO 3822

Scottish Water  
Byelaws

UK Water Supply  
Regulations

**Ü-Zeichen**



## Rain shower with wall fixing 220 mm - Brushed Light Gold

---

28 649 670 Product version from 3/13/2017

### Certificates

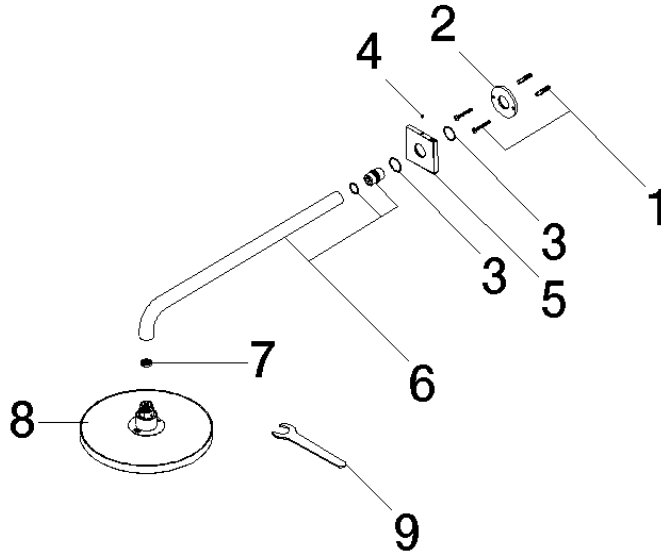
---

WRAS\_2212

LGA\_38

**Rain shower with wall fixing 220 mm - Brushed Light Gold**

28 649 670 Product version from 3/13/2017



**Spare parts list**

No.	Item Number	Name	Quantity used	Delivery time
1	04 30 31 032 00 90	fixing set	1	2
2	09 17 20 120 90	holder	1	2
3	09 14 10 150 90	seal	2	2
4	90 31 11 038 00 90	pin	1	2
5	09 27 67 015-27	rosette	1	60
6	90 11 03 070 00-27	pipe	1	30
7	09 23 01 075 90	insert	1	2
8	04 12 05 092 00-27	shower	1	60
9	90 30 09 069 00 90	key	1	2