

Rain shower with wall fixing 300 mm - Dark Chrome

28 679 970



- 450mm projection
- rain shower Ø 300 mm
- PURE RAIN, max. flow rate 14 l/min (at 3 bar)
- Function from: 10 l/min
- rosette Ø 60 mm
- 1/2" connection
- with anti-scale system
- quick clearing
- WRAS

	Dark Chrome	28 679 970-19
	Chrome	28 679 970-00
	Brushed Platinum	28 679 970-06
	Platinum	28 679 970-08
	Light Gold	28 679 970-26
	Brushed Light Gold	28 679 970-27
	Brushed Durabrass (23kt Gold)	28 679 970-28
	Matte Black	28 679 970-33
	Brushed Bronze	28 679 970-42
	Brushed Champagne (22kt Gold)	28 679 970-46
	Champagne (22kt Gold)	28 679 970-47
	Brushed Chrome	28 679 970-93
	Brushed Dark Platinum	28 679 970-99

Recommended miscellaneous



Concealed wall elbow -

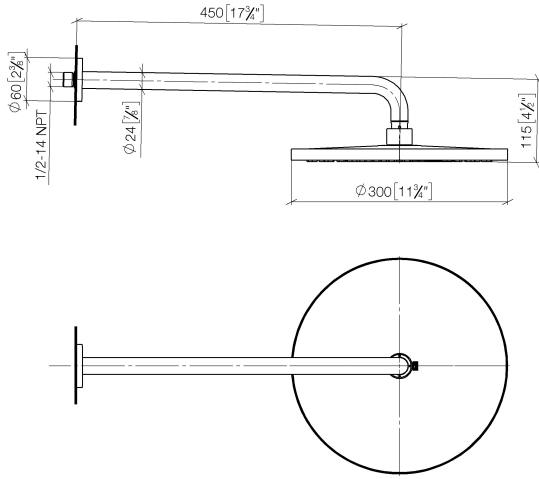
- max. recess depth mm
- min. recess depth mm

35 085 970 90

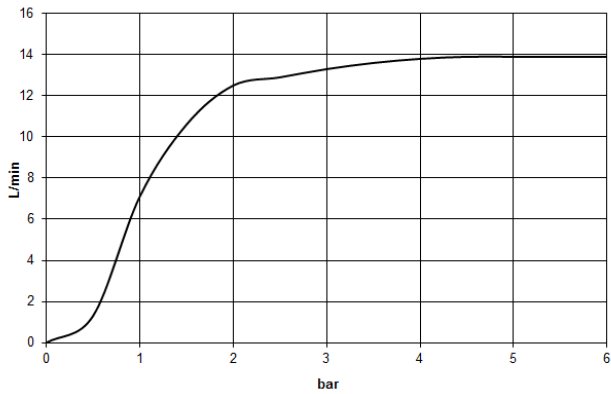
Rain shower with wall fixing 300 mm - Dark Chrome

28 679 970

mm [inches]



Flow rate chart



Codes & Standards

DIN 4109

EN 1112

ISO 3822

Scottish Water
Byelaws

UK Water Supply
Regulations

Ü-Zeichen



Rain shower with wall fixing 300 mm - Dark Chrome

28 679 970

Certificates

WRAS_2212

DVGW_DW-
6517DN0

LGA_29

Rain shower with wall fixing 300 mm - Dark Chrome

28 679 970

