

## Rain shower with wall fixing 300 mm - Brushed Champagne (22kt Gold)

28 679 970 Product version from 3/13/2017



- 450mm projection
- rain shower Ø 300 mm
- PURE RAIN, max. flow rate 14 l/min (at 3 bar)
- Function from: 10 l/min
- rosette Ø 60 mm
- 1/2" connection
- with anti-scale system
- quick clearing
- WRAS

	Brushed Champagne (22kt Gold)	28 679 970-46
	Chrome	28 679 970-00
	Brushed Platinum	28 679 970-06
	Platinum	28 679 970-08
	Dark Chrome	28 679 970-19
	Light Gold	28 679 970-26
	Brushed Light Gold	28 679 970-27
	Brushed Durabrass (23kt Gold)	28 679 970-28
	Matte Black	28 679 970-33
	Brushed Bronze	28 679 970-42
	Champagne (22kt Gold)	28 679 970-47
	Brushed Chrome	28 679 970-93
	Brushed Dark Platinum	28 679 970-99

### Recommended miscellaneous



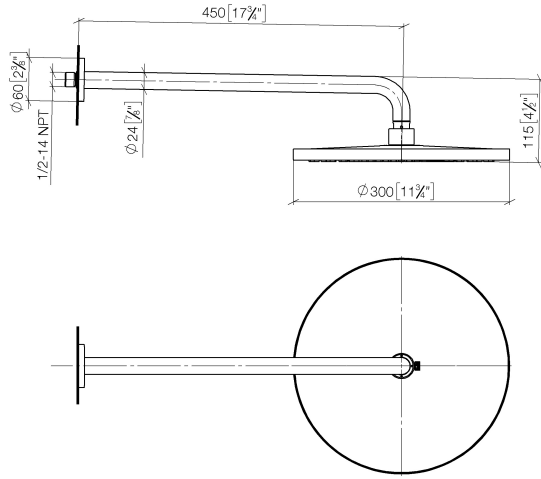
- Concealed wall elbow -**
- max. recess depth mm
  - min. recess depth mm

35 085 970 90

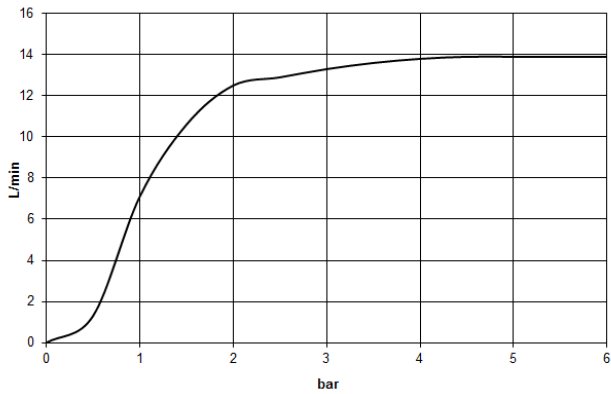
**Rain shower with wall fixing 300 mm - Brushed Champagne (22kt Gold)**

28 679 970 Product version from 3/13/2017

mm [inches]



**Flow rate chart**



**Codes & Standards**

DIN 4109

EN 1112

ISO 3822

Scottish Water  
Byelaws

UK Water Supply  
Regulations

Ü-Zeichen



## Rain shower with wall fixing 300 mm - Brushed Champagne (22kt Gold)

---

28 679 970 Product version from 3/13/2017

### Certificates

---

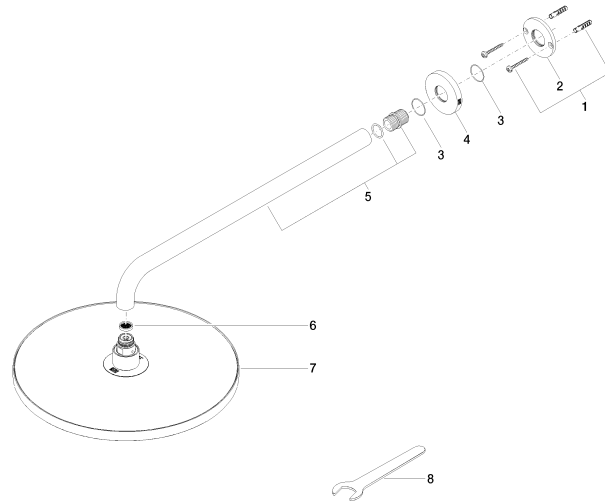
WRAS\_2212

DVGW\_DW-  
6517DN0

LGA\_29

**Rain shower with wall fixing 300 mm - Brushed Champagne (22kt Gold)**

28 679 970 Product version from 3/13/2017



**Spare parts list**

No.	Item Number	Name	Quantity used	Delivery time
1	04 30 31 032 00 90	fixing set	1	2
2	09 17 20 120 90	holder	1	2
3	09 14 10 150 90	seal	2	2
4	09 27 97 015-46	rosette	1	30
5	90 11 03 070 00-46	pipe	1	30
6	09 23 01 075 90	insert	1	2
7	04 12 05 091 00-46	shower	1	30
8	90 30 09 069 00 90	key	1	2