


**LOT Two-hole mixer with individual rosettes - Brushed Champagne (22kt Gold)**

LOT

32 800 680



- 235mm projection
  - pivotable spout 360°
  - air-enriched flow
  - height of mixer 345 mm
  - height up to aerator 319 mm
  - individual rosette 55 x 55 mm
  - hole diameter spout 35 mm
  - single-lever mixer hole diameter 44 mm
  - max. flow 8 l/min at 3 bar flow pressure
  - lead-free
  - WRAS 1909073
  - This product can help a building meet the requirements of Green Building Rating Systems, e.g. LEED®, BREEAM®, DGNB
- Operating unit can be positioned freely.

	Brushed Champagne (22kt Gold)	32 800 680-46
	Chrome	32 800 680-00
	Brushed Platinum	32 800 680-06
	Platinum	32 800 680-08
	Dark Chrome	32 800 680-19
	Brushed Durabronze (23kt Gold)	32 800 680-28
	Champagne (22kt Gold)	32 800 680-47
	Brushed Dark Platinum	32 800 680-99

**Recommended miscellaneous**

**Dispenser with rosette - Brushed Champagne (22kt Gold)** 82 439 970-46



**Recommended miscellaneous**

**Strainer waste with control handle - Brushed Champagne (22kt Gold)** 10 711 970-46

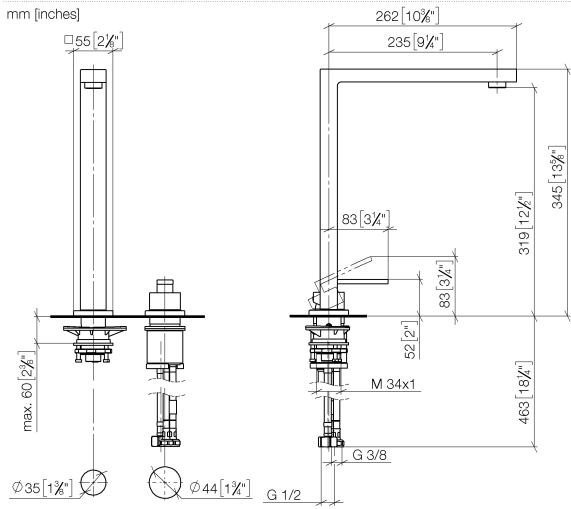




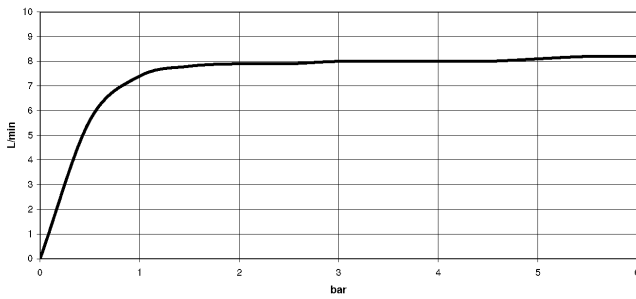
# LOT Two-hole mixer with individual rosettes - Brushed Champagne (22kt Gold)

LOT

32 800 680



## Flow rate chart



## Codes & Standards

Executive Order  
no. 1007



LOT Two-hole mixer with individual rosettes - Brushed Champagne (22kt Gold)

---

LOT

32 800 680

Certificates

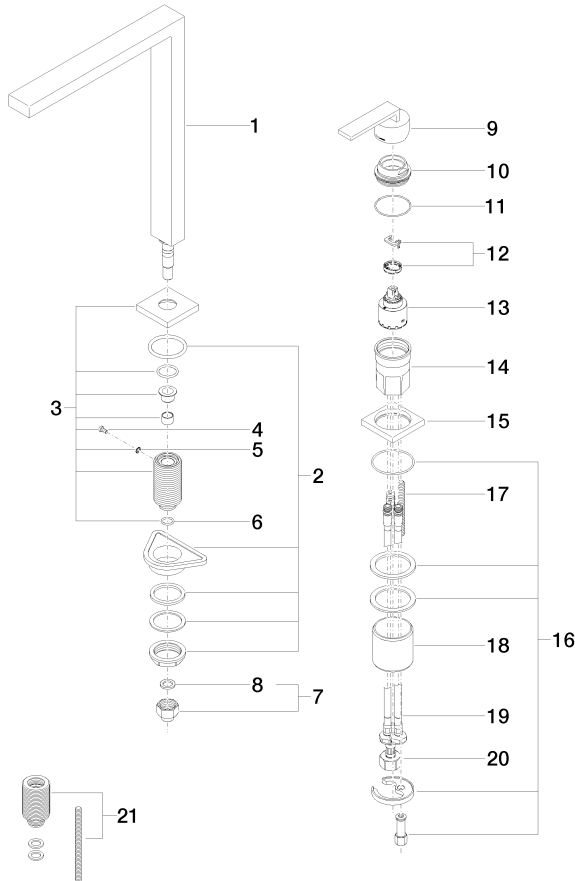
---

GDV\_0400

32 800 680

**Product version from 6/1/2022**

Parts for other finishes can be found here: Chrome





LOT Two-hole mixer with individual rosettes - Brushed Champagne (22kt Gold)

---

LOT

32 800 680

## **Spare parts list**

**Product version from 6/1/2022**