

**LOT Two-hole mixer with individual rosettes - Champagne (22kt Gold)**

LOT

32 800 680



- 235mm projection
- pivotable spout 360°
- air-enriched flow
- height of mixer 345 mm
- height up to aerator 319 mm
- individual rosette 55 x 55 mm
- hole diameter spout 35 mm
- single-lever mixer hole diameter 44 mm
- max. flow 8 l/min at 3 bar flow pressure
- lead-free
- WRAS 1909073
- This product can help a building meet the requirements of Green Building Rating Systems, e.g. LEED®, BREEAM®, DGNB

Operating unit can be positioned freely.

	Champagne (22kt Gold)	32 800 680-47
	Chrome	32 800 680-00
	Brushed Platinum	32 800 680-06
	Platinum	32 800 680-08
	Dark Chrome	32 800 680-19
	Brushed Durabronze (23kt Gold)	32 800 680-28
	Brushed Champagne (22kt Gold)	32 800 680-46
	Brushed Dark Platinum	32 800 680-99

**Recommended miscellaneous**

**Dispenser with rosette - Champagne (22kt Gold)**

82 439 970-47



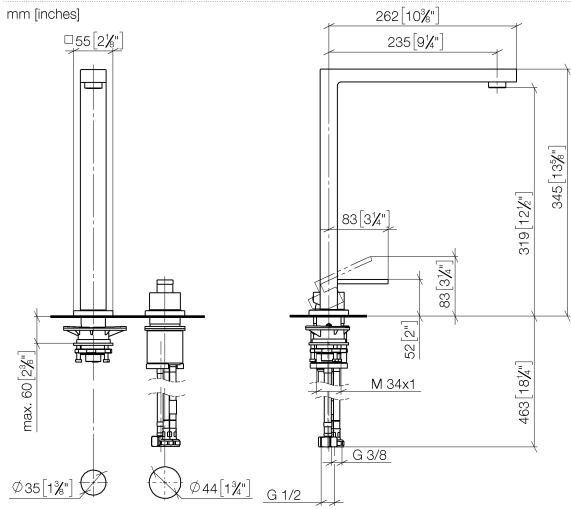
**Recommended miscellaneous**

**Strainer waste with control handle - Champagne (22kt Gold)**

10 711 970-47



32 800 680



**Flow rate chart**



**Codes & Standards**

Executive Order  
no. 1007



LOT Two-hole mixer with individual rosettes - Champagne (22kt Gold)

---

LOT

32 800 680

Certificates

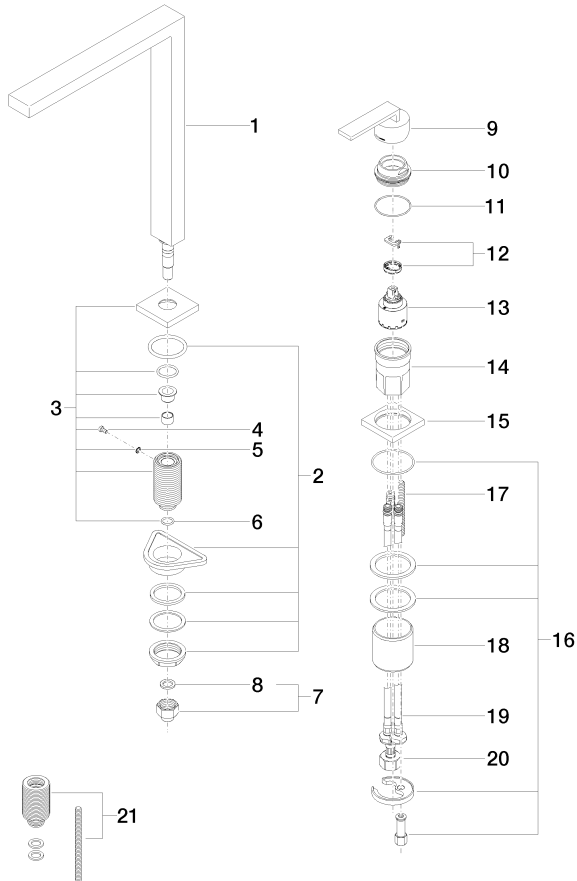
---

GDV\_0400

32 800 680

**Product version from 6/1/2022**

Parts for other finishes can be found here: [Chrome](#)





LOT Two-hole mixer with individual rosettes - Champagne (22kt Gold)

---

LOT

32 800 680

## **Spare parts list**

**Product version from 6/1/2022**