

META Single-lever bath mixer for wall mounting with hand shower set - Brushed Platinum

33 233 660 Product version from 7/1/2023



- spout: circular, air-enriched flow
- max. flow 14 l/min at 3 bar flow pressure
- Hand shower: COMPACT RAIN, max. flow rate 6.8 l/min (at 3 bar)
- complete hand shower set with anti-scale system
- automatic bath/shower diverter
- 202mm projection
- slide-on rosettes Ø 60 mm
- gauge 150 mm - 15 mm
- 1/2" connection
- metal shower hose 1250mm with integrated anti-twist protection
- shower holder rosette Ø 57mm
- WRAS

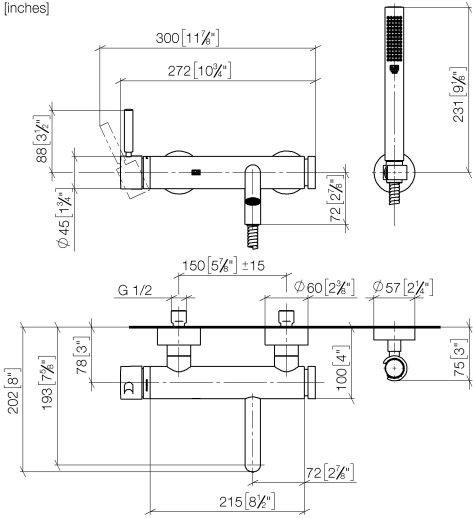
Intrinsic protection against back flow.

	Brushed Platinum	33 233 660-06
	Chrome	33 233 660-00
	Dark Chrome	33 233 660-19
	Light Gold	33 233 660-26
	Brushed Light Gold	33 233 660-27
	Matte Black	33 233 660-33
	Brushed Bronze	33 233 660-42
	Brushed Champagne (22kt Gold)	33 233 660-46
	Champagne (22kt Gold)	33 233 660-47
	Brushed Chrome	33 233 660-93
	Brushed Dark Platinum	33 233 660-99

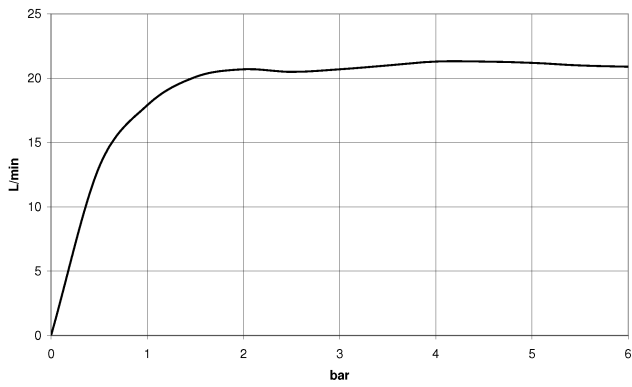


**META Single-lever bath mixer for wall mounting with hand shower set -
Brushed Platinum**

33 233 660 Product version from 7/1/2023
mm [inches]



Flow rate chart



Codes & Standards

DIN 4109

EN 1717

ISO 3822

Scottish Water
Byelaws

UK Water Supply
Regulations

Ü-Zeichen



META Single-lever bath mixer for wall mounting with hand shower set - Brushed Platinum

33 233 660 Product version from 7/1/2023

Certificates

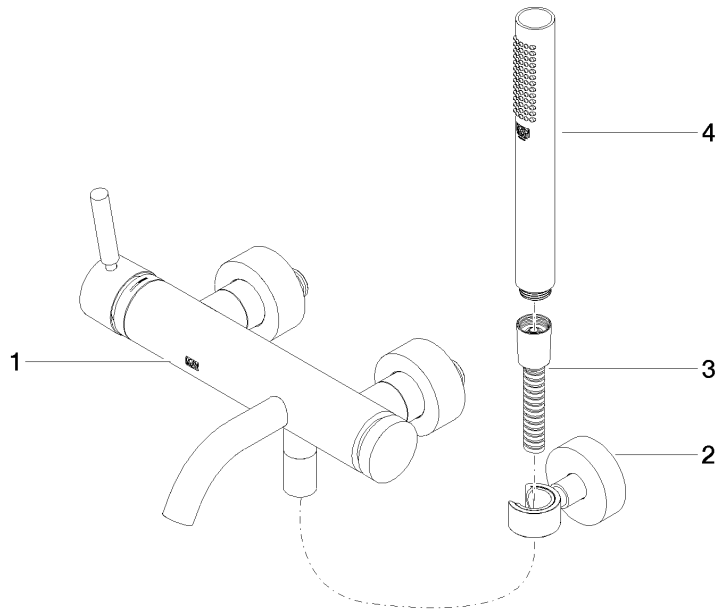
Belgaqua_21-025-2 LGA_29

WRAS_2207

**META Single-lever bath mixer for wall mounting with hand shower set -
Brushed Platinum**

33 233 660 Product version from 7/1/2023

Parts for other
finishes can be found
here: [Chrome](#)



Spare parts list

No.	Item Number	Name	Quantity used	Delivery time
1	33 200 660-06	META Single-lever bath mixer for wall mounting without shower set - Brushed Platinum	1	10
2	28 050 920-06	holder	1	-
Spare part can no longer be ordered, please order the replacement item				
3	90 30 02 072 00-06	Metal shower hose 1/2" x 3/8" x 1250 mm - Brushed Platinum	1	10
4	90 12 11 140 41-06	shower	1	10